

CNC Quilter

ABM International, Inc.

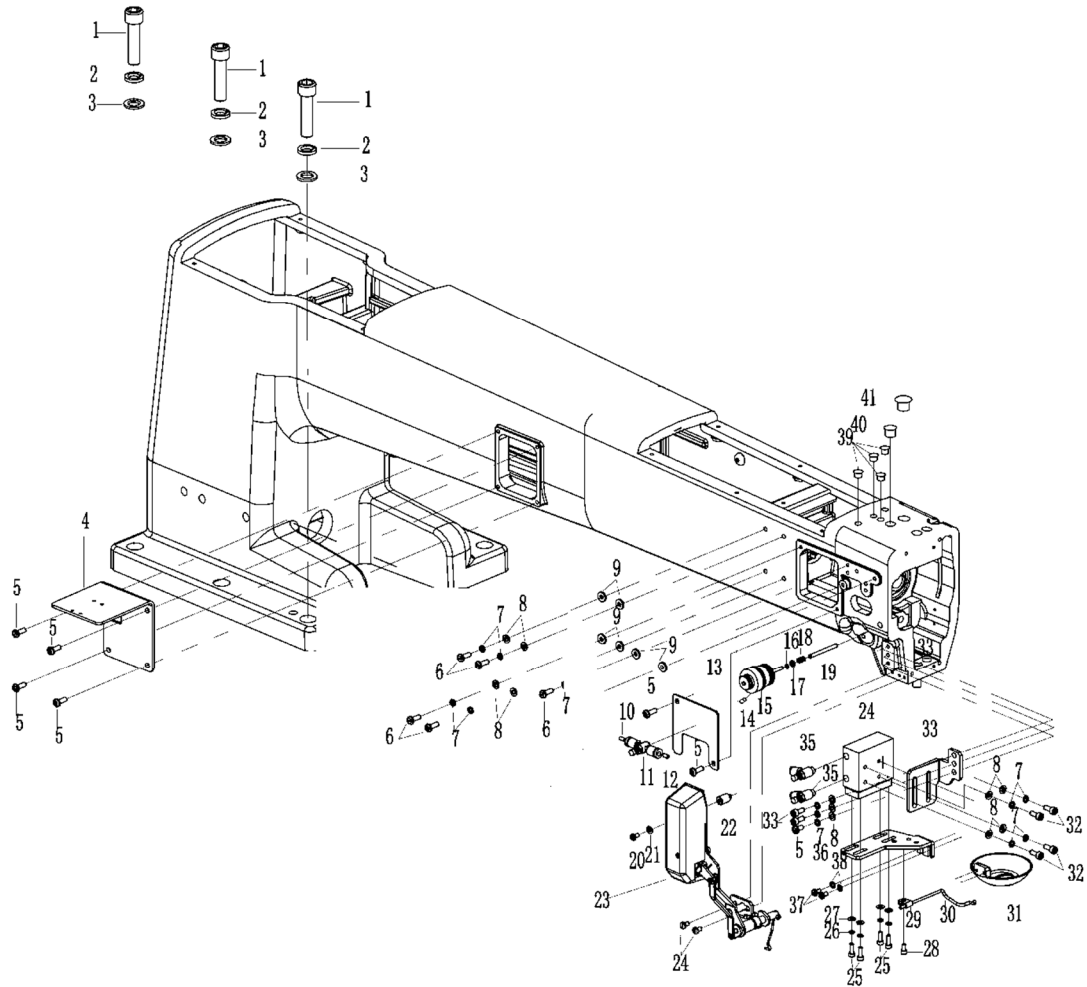
PARTS BOOK

Number	Title	Page
1	Head Casting (Left Hand Side)	1
2	Head Casting (Right Hand Side)	3
3	Thread Wiper (optional)	5
4	Hopping Foot	7
5	Lifting Foot Drive Ver. 1	9
6	Lifting Foot Drive Ver. 2	11
7	Upper Shaft	13
8	Needle Bar and Lower Shaft	15
9	Hook Drive and Thread Cutter	17
10	Hook Drive Housing	19
11	Hook Drive Housing Ver. 2	21
12	Thread Cutter Drive	23
13	Machine Base and Y-Axis Bearing Rail Assembly	25
14	Y-Axis Motor and Ball Screw Assembly	27
15	Y-Axis Carriage Assembly	29
16	X-Axis Ball Screw Assembly	31
17	X-Axis Motor Assembly	33
18	X-Axis Carriage Assembly	35
19	X-Axis Bearing Rail Assembly	37
20	Machine Frame	39
21	Table Subframe	41
22	Table Top Structure (100)	43
23	Table Top Structure (120)	45
24	Table Top (100)	47
25	Table Top (120)	49
26	Electrical and Pneumatic Components	51
27	Needle Cooler	53
28	Sewing Accessories	54
29	Main Electrical Cabinet	56
30	Operator Interface and Pushbutton Station	58

1. Head Casting (Left Hand Side)

Number	Part Number	New #	Quantity	Note
1	91-70.1-1455-1	91-70.1-1455-1	3	
2	91-93-14-1	91-93-14-1	3	
3	91-848-14-0	91-848-14-0	3	
4	82000107290	82000107290	1	
5	91-67-0510-3	ZHD1008	7	
6	91-67-0514-3	ZHD1009	6	
7	91-93-04-1	ZHD1022	11	
8	91-97.1-04-0	ZHD1025	11	
9	82000167270	82000167270	6	
10	92-410003-042.5	92-410003-042.5	1	
11	92-410012-04	92-410012-04	1	
12	92-410020-042.5	92-410020-042.5	1	
13	82000106290	82000106290	1	
14	91-77-0510-1	91-77-0510-1	1	
15	93-230001-005	93-230001-005	1	
16	91-894-04-0	91-894-04-0	1	
17	91-97.11-04-0	ZHD1027	1	
18	82000425160	82000425160	1	
19	82000424110	ZPT1065	1	
20	91-67-0408-1	91-67-0408-1	1	
21	82002330200	82002330200	1	
22	82000463170	82000463170	1	
23	82000441004	82000441004	1	
24	82000466170	82000466170	2	
25	91-70.1-0512-3	91-70.1-0512-3	4	
26	91-93-05-1	ZHD1022	4	
27	91-97.1-05-0	ZHD1025	4	
28	91-70.1-0408-3	ZHD1054	1	
29	82000437150	82000437150	1	
30	82000436300	82000436300	1	
31	82000430290	82000430290	1	
32	91-70.1-0512-3	91-70.1-0512-3	6	
33	82000439150	82000439150	1	
34	92-30002-1215	92-30002-1215	1	
35	92-420002-0504	ZPT1194	2	
36	82000432150	82000432150	1	
37	91-67-0408-3	91-67-0408-3	2	
38	91-848-04-0	91-848-04-0	2	
39	82000108270	ZPT1083	4	
40	82000109270	ZPT1084	1	
41	82000110270	ZPT1085	1	

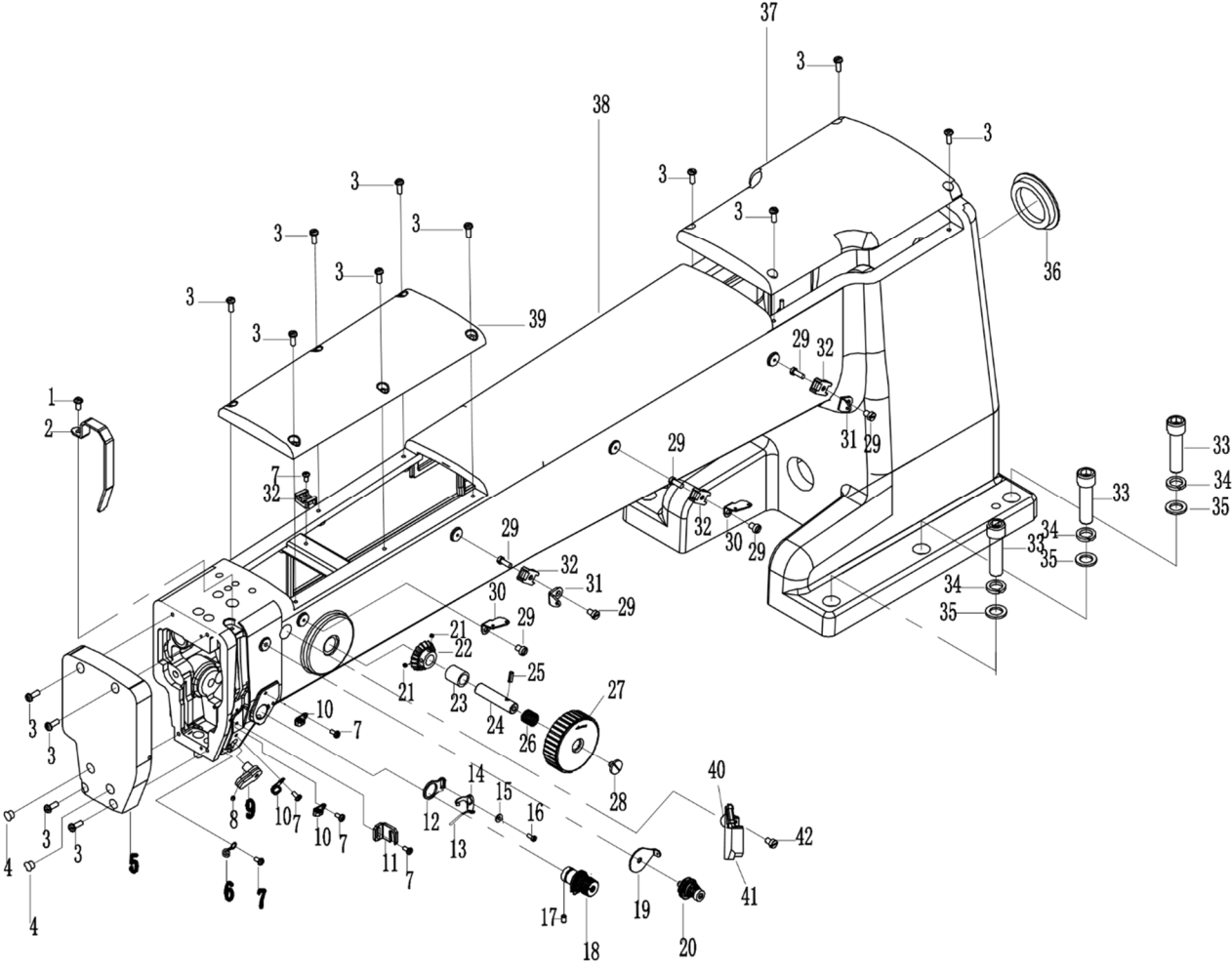
Head Casting (Left Hand Side)



2. Head Casting (Right Hand Side)

Number	Part Number	New #	Quantity	Note
1	91-67-0510-3	ZHD1008	1	
2	82000105150	82000105150	1	
3	91-67-0514-3	ZHD1009	14	
4	82000109270	ZPT1084	2	
5	82000104280	82000104280	1	
6	82000429150	ZPT1091	1	
7	91-67-0404-1	ZHD1007	5	
8	91-77-0404-1	ZHD1015	1	
9	93-230004-005	93-230004-005	1	
10	82000427150	ZPT1090	3	
11	82000426150	ZPT1089	1	
12	82000411260	ZPT1063	1	
13	93-410002-1.501	93-410002-1.501	1	
14	82000404150	ZPT1059	1	
15	82000409260	ZPT1061	1	
16	82000410170	ZPT1062	1	
17	91-77-0508-1	ZHD1016	1	
18	82000412004	ZPT1064	1	
19	82000401150	ZPT1056	1	
20	82000403004	ZPT1058	1	
21	82000229170	ZPT1041	2	
22	82000230230	ZPT1110	1	
23	82000112120	ZPT1111	1	
24	82000232110	ZPT1113	1	
25	82000234170	ZHD1033	1	
26	82000231160	ZPT1115	1	
27	82000233260	ZPT1116	1	
28	82000234170	ZHD1033	1	
29	91-65-0608-3	ZHD1006	7	
30	82000477150	ZPT1093	2	
31	82000402150	ZPT1057	2	
32	82000163260	82000163260	4	
33	91-70.1-1455-1	91-70.1-1455-1	3	
34	91-93-14-1	91-93-14-1	3	
35	91-848-14-0	91-848-14-0	3	
36	82000161260	82000161260	1	
37	82000102280	82000102280	1	
38	82000101100	82000101100	1	
39	82000103280	82000103280	1	
40	82000177110	ZPT1117	1	
41	82000178263	ZPT1118	1	
42	91-818-0410-1	ZHD1019	1	

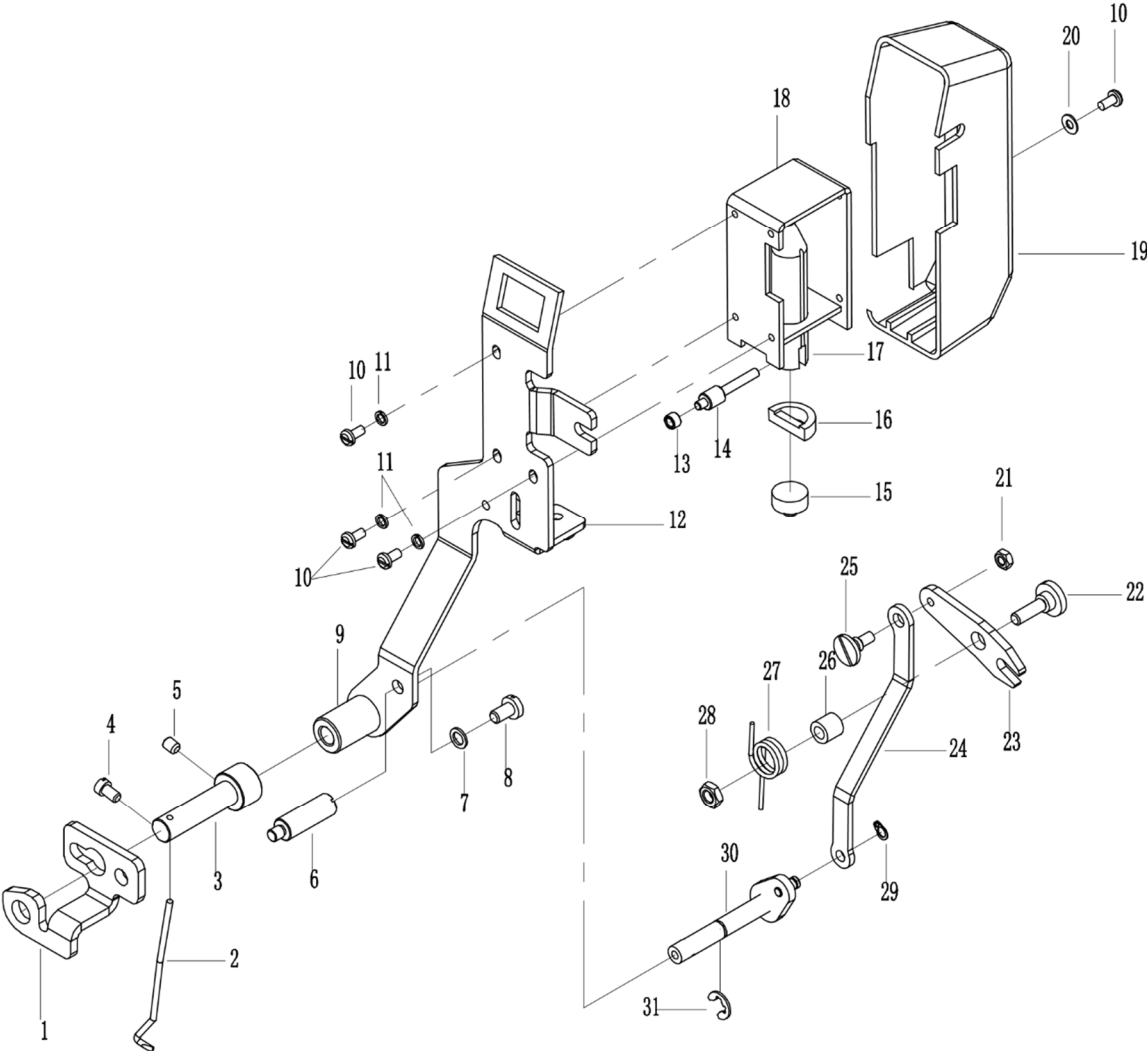
Head Casting (Right Hand Side)



3. Thread Wiper (optional)

Number	Part Number	New #	Quantit	Note
1	82000468150	82000468150	1	
2	82000471110	82000471110	1	
3	82000470110	82000470110	1	
4	82000472170	82000472170	1	
5	91-77-0405-1	91-77-0405-1	1	
6	82000465170	82000465170	1	
7	82000467200	ZPT1092	1	
8	82000466170	82000466170	1	
9	82000443120	82000443120	1	
10	91-67-0306-1	91-67-0306-1	3	
11	91-93-03-1	91-93-03-1	3	
12	82000442150	82000442150	1	
13	82000460270	82000460270	1	
14	82000461270	82000461270	1	
15	82000459270	82000459270	1	
16	82000458270	82000458270	1	
17	82000457110	82000457110	1	
18	93-23 0002	93-23 0002	1	
19	82000462260	82000462260	1	
20	91-97.1-03-0	91-97.1-03-0	1	
21	82000451180	82000451180	1	
22	82000453170	82000453170	1	
23	82000452150	82000452150	1	
24	82000448150	82000448150	1	
25	82000450170	82000450170	1	
26	82000454110	82000454110	1	
27	82000455160	82000455160	1	
28	82000456180	82000456180	1	
29	82000449200	82000449200	1	
30	82000445123	82000445123	1	
31	82000444210	82000444210	1	

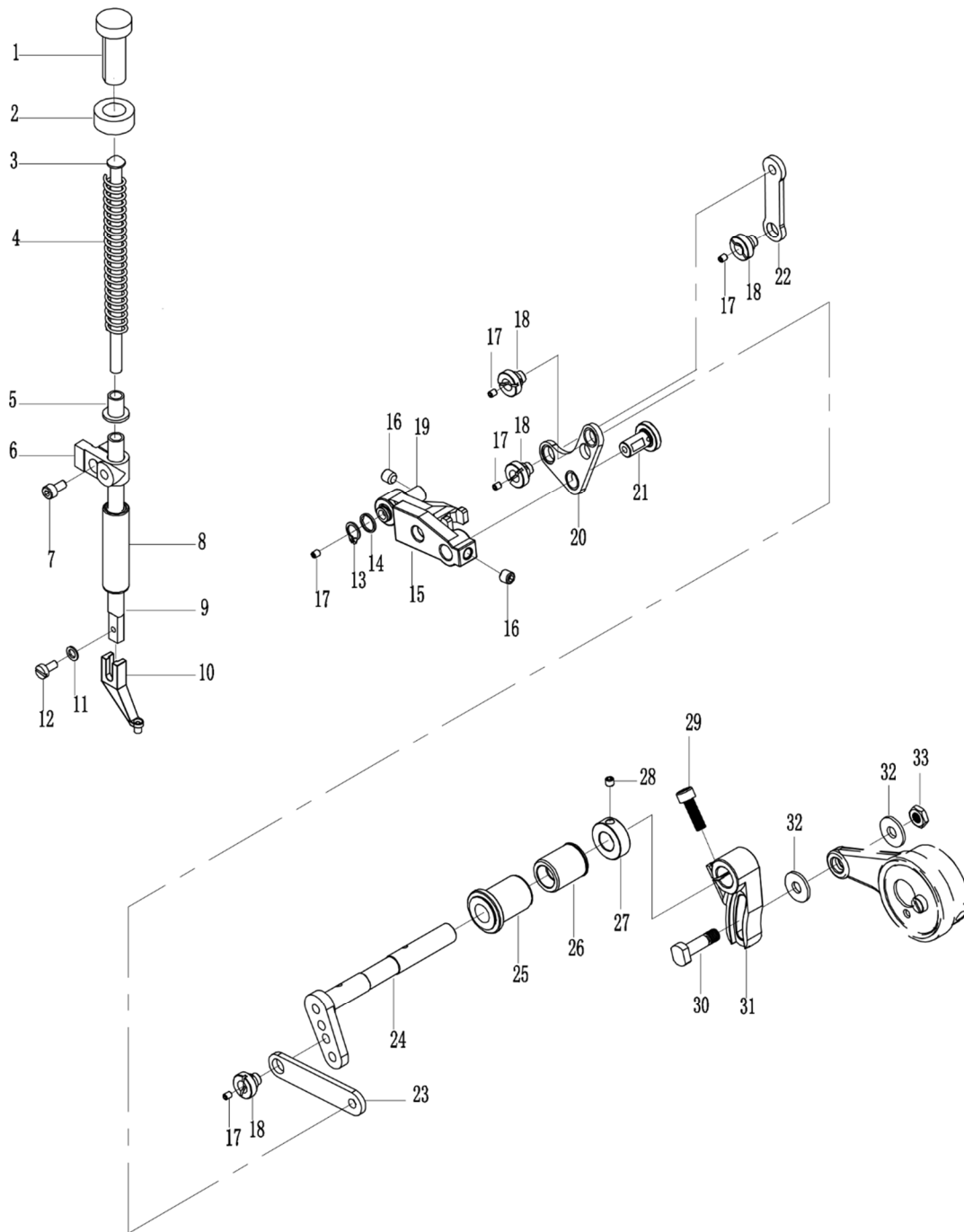
Thread Wiper (optional)



4. Hopping foot

Number	Part Number	New #	Quantity	Note
1	82000333170	ZPT1052	1	
2	82000332180	ZPT1051	1	
3	82000334110	ZPT1053	1	
4	82000335160	ZPT1054	1	
5	82000336120	ZPT1055	1	
6	82000326290	ZPT1047	1	
7	91-70.1-0408-1	ZHD1010	1	
8	82000119120	ZPT1031	1	
9	82000327170	ZPT1048	1	
10	82000328290	ZPT1049	1	
11	82000467200	ZPT1092	1	
12	82000331170	ZPT1050	1	
13	91-894.1-08-1	ZHD1030	1	
14	82000322200	ZPT1109	1	
15	82000323290	ZPT1108	1	
16	91-77-0606-1	ZHD1018	2	
17	91-77-0404-1	ZHD1015	5	
18	82000317170	ZPT1042	4	
19	82000321110	ZPT1120	1	
20	82000320003	ZPT1044	1	
21	82000324110	ZPT1121	1	
22	82000325150	82000325150	1	
23	82000318003	ZPT1043	1	
24	82000316110	ZPT1122	1	
25	82000113123	ZPT1123	1	
26	82000115123	ZPT1124	1	
27	82000314210	ZPT1125	1	
28	91-77-0404-1	ZHD1015	1	
29	82000311170	ZHD1032	1	
30	82000313110	ZHD1034	1	
31	82000310290	ZPT1126	1	
32	82000309200	ZPT1127	2	
33	91-41-06-1	ZHD1031	1	

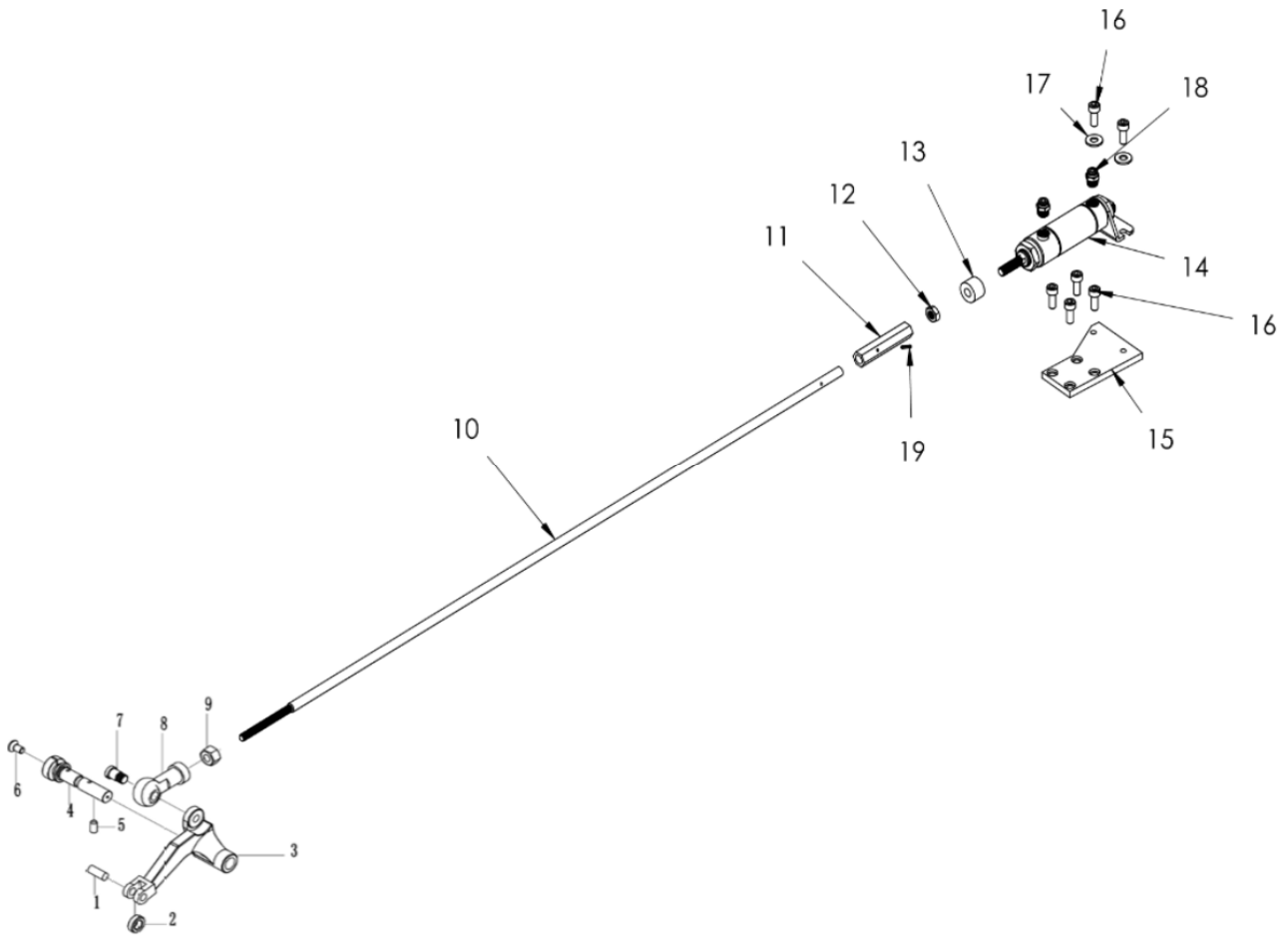
Hopping Foot



5. Lifting Foot Drive Ver. 1

Number	Part Number	New #	Quantity	Note
1	82000342110	ZPT1128	1	
2	82000341120	ZPT1129	1	
3	82000340290	ZPT1130	1	
4	82000337110	ZPT1131	1	
5	91-77-0508-1	ZHD1016	1	
6	91-70.3-0408-1	ZHD1055	1	
7	82000353170	ZPT1132	1	
8	82000350294	ZPT1133	1	
9	82000347180	ZHD1035	1	
10	82009050000	ZPT1072	1	
11	82009050001	ZPT1073	1	
12	82009050002	ZPT1074	1	
13	82009050003	ZPT1075	1	
14	82009050004	ZBM1009	1	
15	82009050005	ZPT1077	1	
16	82009050006	ZHD1028	8	
17	82009050007	82009050007	2	
18	82009050008	82009050008	2	
19	82009050010	ZPT1079	1	

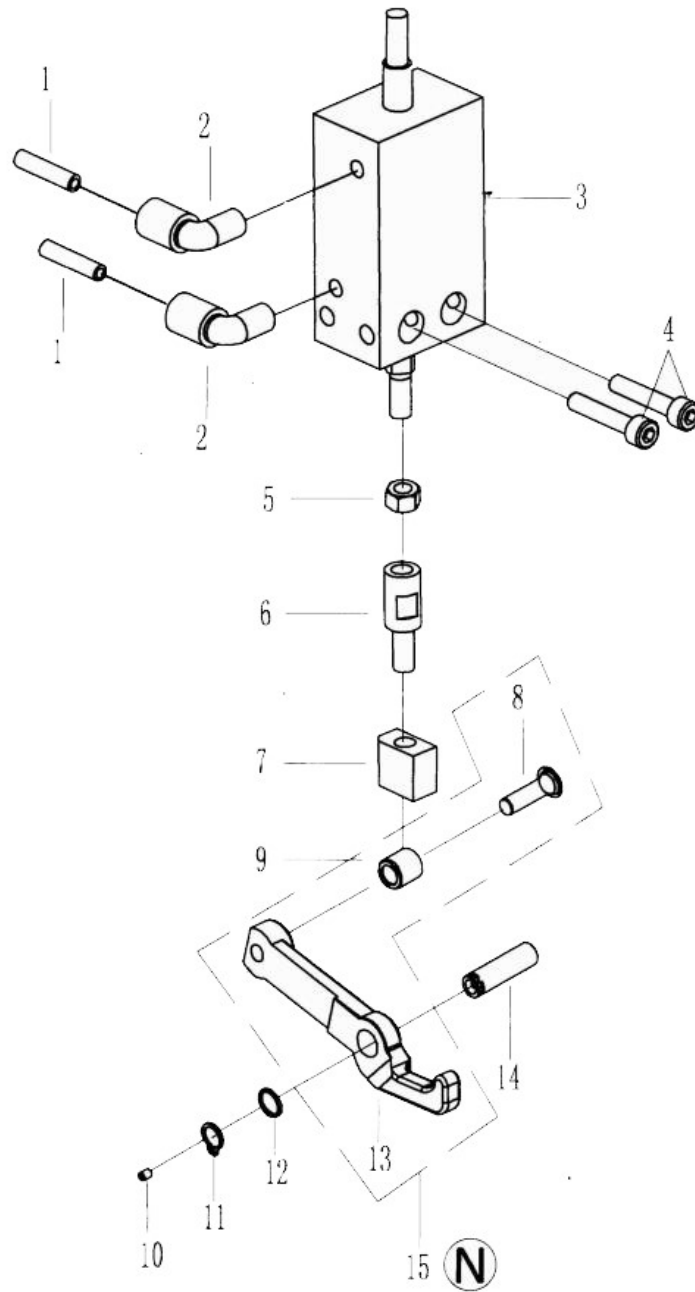
Lifting Foot Drive Ver. 1



6. Lifting Foot Drive Ver. 2

Number	Part Number	New #	Quantity	Note
1	91-QG-0008	91-QG-0008	5	
2	92-420001-0405	ZPT1134	2	
3	92-310011-2025	ZPT1135	1	
4	91-40.1-0525-1	ZHD1036	2	
5	91-6170-06-2	ZHD1037	1	
6	81000123110	81000123110	1	
7	91000113280	ZPT1137	1	
8	82000522110	ZPT1138	1	
9	91-290-HK0509-INA	ZPT1139	1	
10	91-77-0404-1	ZHD1015	1	
11	91-894.1-08-1	ZHD1030	1	
12	82000322200	ZPT1109	1	
13	81000111290	ZPT1140	1	
14	81000110110	ZPT1141	1	
15	81000111295	ZBM1004	1	

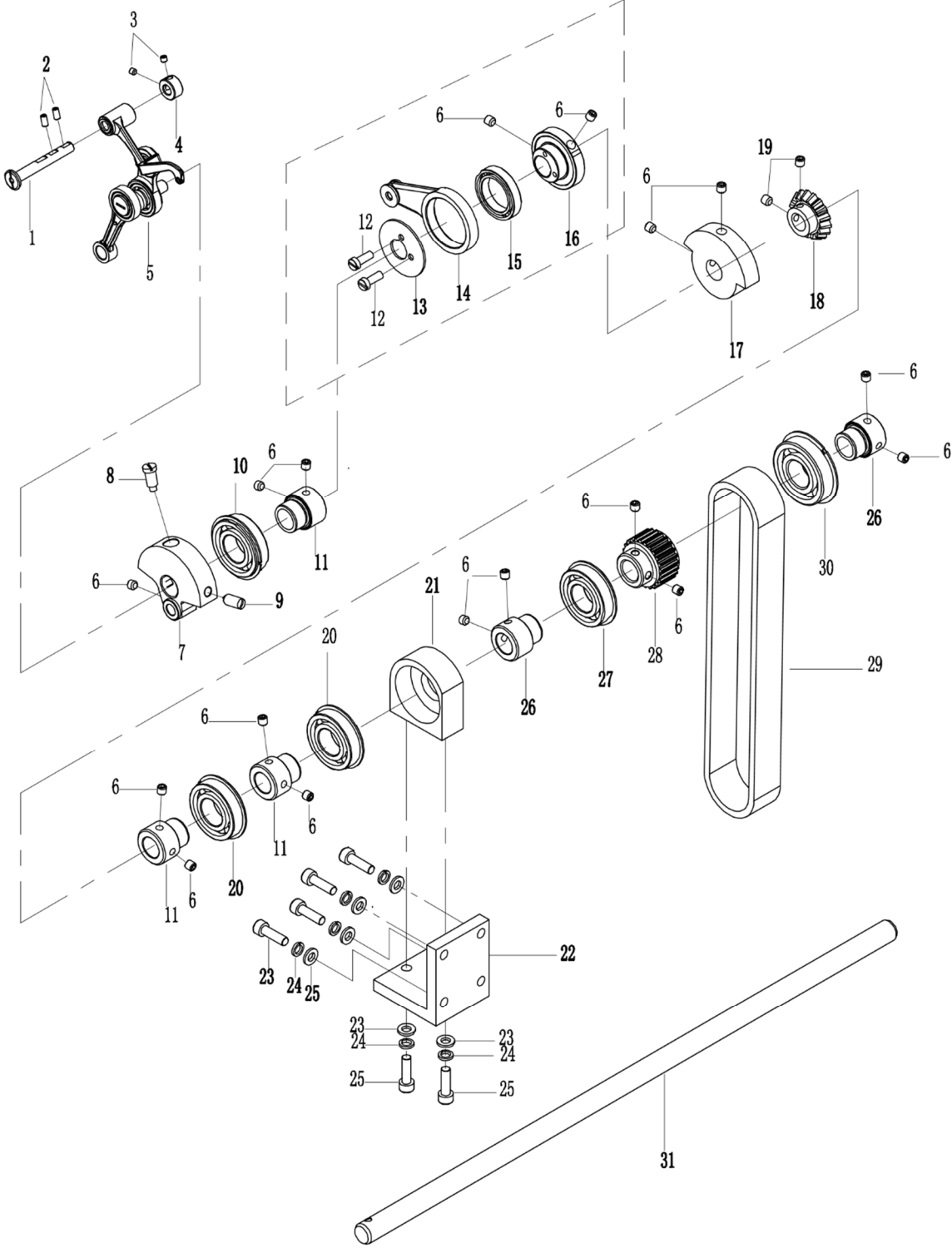
Lifting Foot Drive Ver. 2



7. Upper shaft

Number	Part Number		Quantity	Note
1	82000220110	ZPT1142	1	
2	91-77-0508-1	ZHD1016	2	
3	82000219170	ZHD1038	2	
4	82000218210	ZPT1143	1	
5	82000210005	ZPT1035	1	
6	82010124170	ZHD1039	17	
7	82000225290	ZPT1144	1	
8	82000227170	ZPT1040	1	
9	82000226170	ZPT1039	1	
10	6004ZZNR	6004ZZNR	1	
11	82000123120	ZPT1146	3	
12	91-65-0408-1	ZHD1040	2	
13	82000306150	ZPT1147	1	
14	82000304290	ZPT1148	1	
15	6805VV	6805VV	1	
16	82000302290	ZPT1150	1	
17	82000242290	ZPT1151	1	
18	82000228230	ZPT1152	1	
19	82000229170	ZPT1041	2	
20	6004ZZ	6004ZZ	2	
21	82000122290	ZPT1154	1	
22	82000121290	82000121290	1	
23	91-97.1-06-0	ZHD1026	6	
24	91-93-06-1	ZHD1023	6	
25	91-70.1-0620-1	ZHD1041	6	
26	82000125120	ZPT1155	2	
27	6204ZZ	6204ZZ	1	
28	82000236230	ZPT1157	1	
29	82000237240	ZPT1158	1	
30	6304ZZNR	6304ZZNR	1	
31	82000235110	ZPT1160	1	

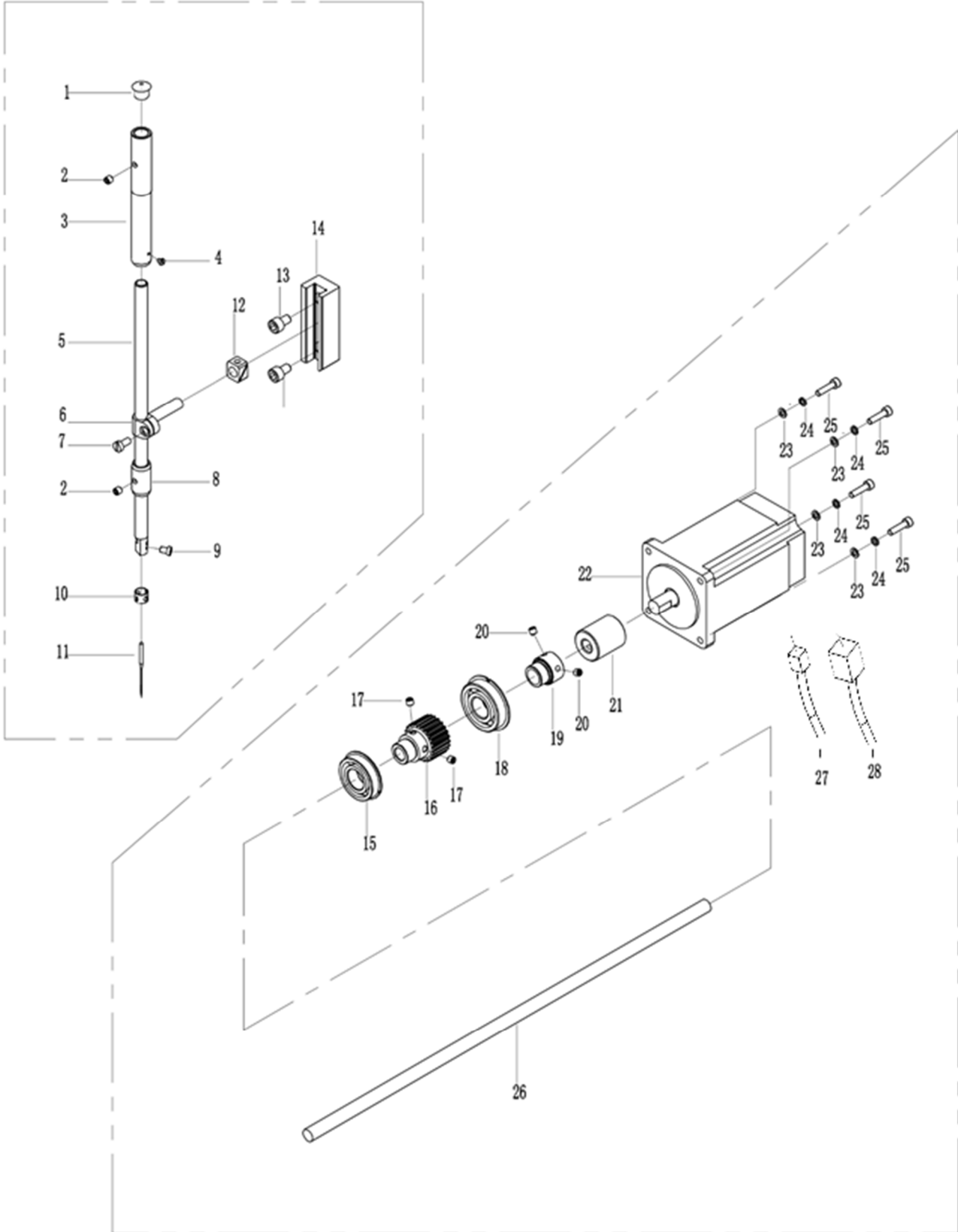
Upper Shaft



8. Needle Bar and Lower Shaft

Number	Part Number	New #	Quantity	Note
1	82000117270	ZPT1029	1	
2	91-77-0404-1	ZHD1015	2	
3	82000116120	ZPT1028	1	
4	91-65-0202-1	ZHD1004	1	
5	82000203110	ZPT1033	1	
6	82000201290	ZPT1032	1	
7	82000202170	ZPT1087	1	
8	82000118120	ZPT1030	1	
9	82000205170	ZPT1088	1	
10	82000206150	ZPT1034	1	
11		ZBM1000	1	
11.1		ZBM1000	1	
12	82000222280	ZPT1036	1	
13	82000224170	ZPT1038	2	
14	82000223290	ZPT1037	1	
15	6204ZZ	6204ZZ	1	
16	82000127230	ZPT1161	1	
17	82000124170	ZHD1042	2	
18	6304ZZ	6304ZZ	1	
19	82000128120	ZPT1162	1	
20	82000124170	ZHD1042	2	
21	82000238125	ZPT1105	1	
22	ESM80K-C2	ESM80K-C2	1	Servo Motor
23	91-848-05-0	ZHD1043	4	
24	91-93-05-1	ZHD1022	4	
25	90-70.1-0520-1	ZHD1044	4	
26	82000241110	ZPT1163	1	
27	LAC-AAA401	LAC-AAA401	1	Motor Power
28	LEC-AAA401	LEC-AAA401	1	Encoder Cable

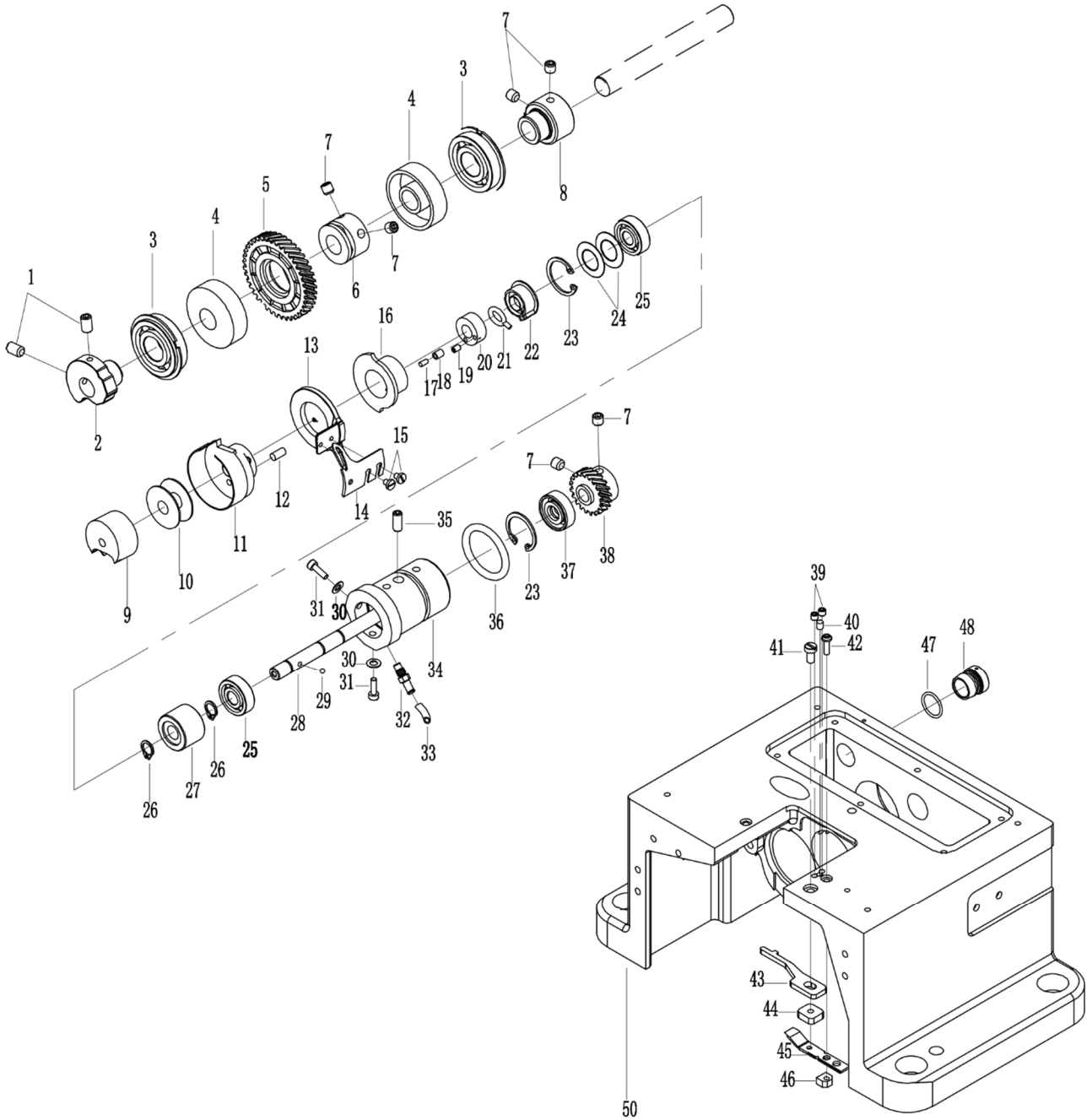
Needle Bar and Lower Shaft



9. Hook Drive and Thread Cutter

Number	Part Number	New #	Quantity	Note
1	82000134170	ZHD1045	2	
2	82000133290	ZPT1164	1	
3	6202ZZNR	ZPT1165	2	
4	82000135270	ZPT1166	2	
5	82000624230	82000624230	1	
6	82000625120	82000625120	1	
7	82000124170	ZHD1042	2	
8	82000131120	ZPT1167	1	
9	94-31DBM4-DH	94-31DBM4-DH	1	
10	82000605140	82000605140	1	
11	94-30BTR(MBJ)-DY	ZPT1070	1	
12	82000655220	ZPT1168	1	
13	82000611280	ZPT1169	1	
14	82000505150	ZPT1099	1	
15	82000506170	ZPT1100	2	
16	82000609280	ZPT1170	1	
17	82000614220	ZPT1171	1	
18	82000650260	ZPT1172	1	
19	82000652170	ZPT1173	1	
20	82000612290	ZPT1174	1	
21	82000616220	ZPT1175	1	
22	8200061520	8200061520	1	
23	91-893.1-2201	ZHD1046	2	
24	82000619200	ZPT1177	2	
25	608-ZZ	ZPT1178	1	
26	91-894.1-08-1	ZHD1030	2	
27	82000620120	ZPT1179	1	
28	82000621110	ZPT1180	1	
29	82000613400	ZPT1181	1	
30	82000610200	ZHD1047	2	
31	91-70.1-0310-1	ZHD1048	2	
32	82000618260	ZPT1182	1	
33	82000617280	ZPT1183	1	
34	82000607120	ZPT1184	1	
35	91-77-0512-1	ZHD1017	1	
36	82000608270	ZPT1185	1	
37	82000622270	ZPT1186	1	
38	82000623230	ZPT1187	1	
39	91-77-0404-1	ZHD1015	2	
40	82000504110	ZPT1188	1	
41	91-65-0412-1	ZHD1005	1	
42	82000503170	ZPT1096	1	
43	82000600280	ZPT1101	1	
44	82000602150	ZPT1102	1	
45	82000501150	ZPT1094	1	
46	82000502110	ZPT1095	1	
47	82000142290	ZPT1189	1	
48	82000143270	ZPT1190	1	

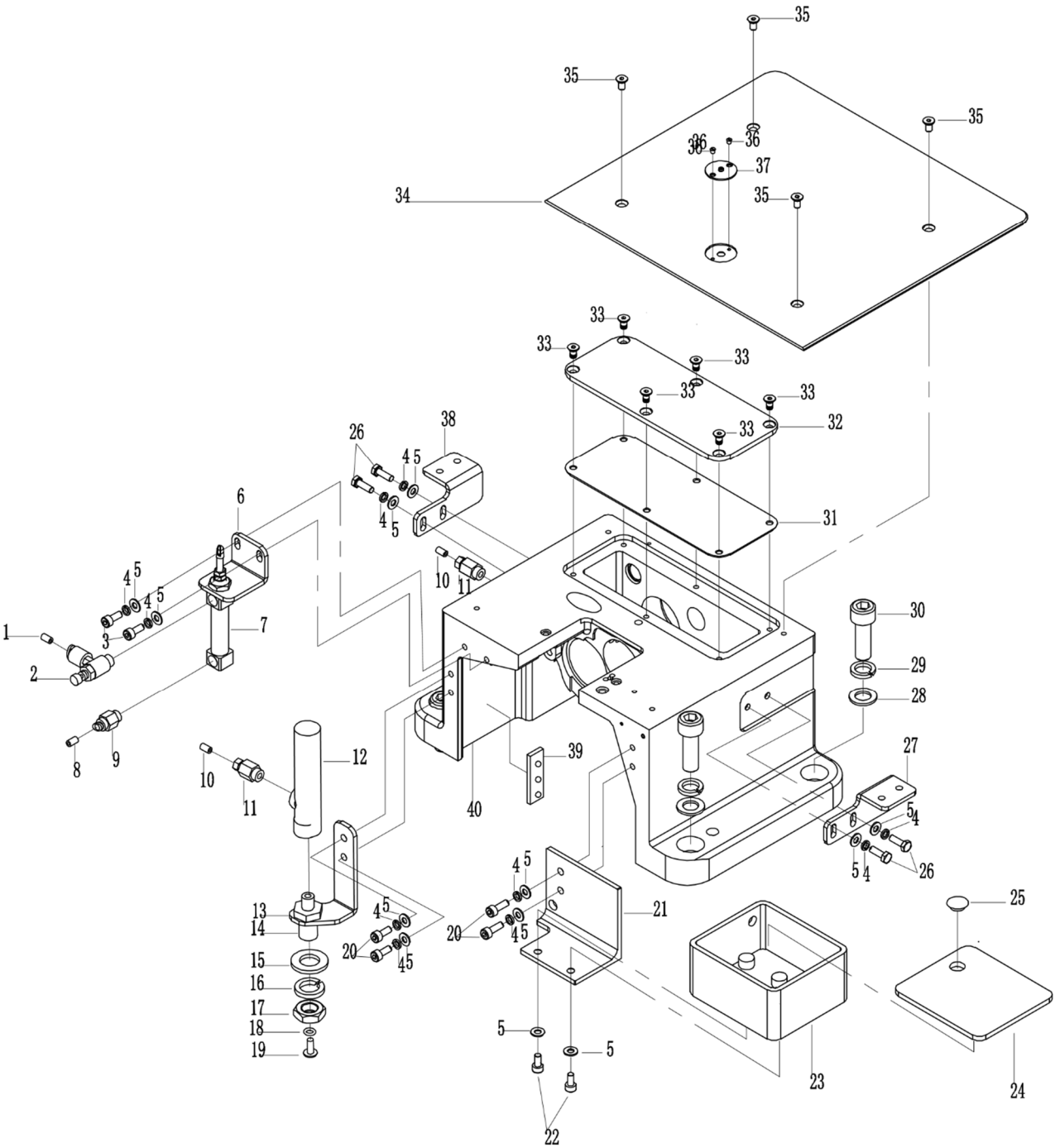
Hook Drive and Thread Cutter



10. Hook Drive Housing

Number	Part Number	New #	Quantity	Note
1	92-410015-042.5	92-410015-042.5		
2	92-420003-0504	ZPT1191	1	
3	91-70.1-0410-3	ZHD1049	2	
4	91-93-04-1	ZHD1021	10	
5	91-97.1-04-0	ZHD1024	12	
6	82001031150	ZPT1192	1	
7	92-320001-1010	ZPT1193	1	
8	92-410016-042.5	92-410016-042.5		
9	92-420002-0504	ZPT1194	1	
10	82000649300	82000649300	1	
11	82000648174	ZPT1195	2	
12	82000645263	ZPT1196	1	
13	82000644150	ZPT1197	1	
14	82000646170	ZPT1198	1	
15	91-97.1-12-0	ZHD1050	1	
16	91-93-12-1	ZHD1051	1	
17	91-6172.1-12-1	ZHD1052	1	
18	91-3451.1-3.15-1.8	ZPT1199	1	
19	82000647170	ZHD1061	1	
20	91-70.1-0412-3	ZHD1053	2	
21	82000631150	82000631150	1	
22	91-70.1-0408-3	ZHD1054	2	
23	82000626263	ZPT1201	1	
24	82000629260	ZPT1202	1	
25	82000739270	ZPT1104	1	
26	91-5783-0412-0	91-5783-0412-0	4	
27	82000166120	82000166120	1	
28	91-848-10-0	91-848-10-0	2	
29	91-93-10-1	91-93-10-1	2	
30	91-70.1-1030-1	91-70.1-1030-1	2	
31	82000141270	ZPT1203	1	
32	82000140150	ZPT1204	1	
33	91-70.3-0410-1	ZHD1014	6	
34	82000136150	ZPT1205	1	
35	91-70.3-0408-0	ZHD1013	4	
36	82000139170	82000139170	2	
37	82010137290	ZPT1066	1	
38	82000165120	82000165120	1	
39	93-420002-0005	93-420002-0005	1	
40	82000129100	82000129100	1	

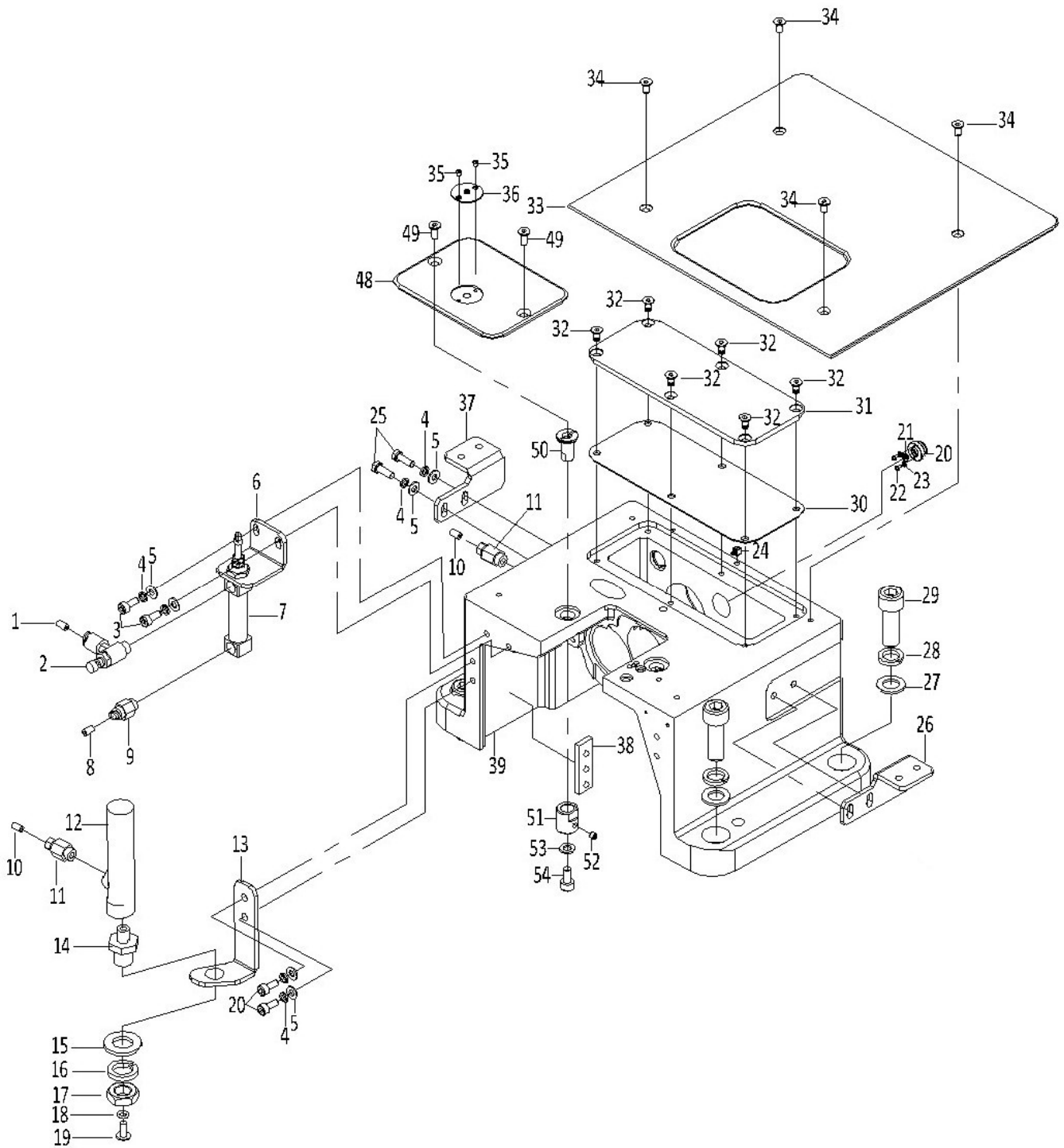
Hook Drive Housing



11. Hook Drive Housing Ver. 2

Number	Part Number	New #	Quantity	Note
1	92-410015-042.5	92-410015-042.5	1	
2	92-420003-0504	ZPT1191	1	
3	91-70.1-0410-3	ZHD1049	2	
4	91-93-04-1	ZHD1021	10	
5	91-97.1-04-2	91-97.1-04-2	8	
6	82001031150	ZPT1192	1	
7	92-320001-1010	ZPT1193	1	
8	92-410016-042.5	92-410016-042.5	1	
9	92-420002-0504	ZPT1194	1	
10	82000649300	82000649300	1	
11	82000648174	ZPT1195	2	
12	82000645263	ZPT1196	1	
13	82000644150	ZPT1197	1	
14	82000646170	ZPT1198	1	
15	91-97.1-12-2	91-97.1-12-2	1	
16	91-93-12-1	ZHD1051	1	
17	91-6172.1-12-1	ZHD1052	1	
18	91-3451.1-3.15-1.8	ZPT1199	1	
19	82000647170	ZHD1061	1	
20	85000212120	85000212120	1	
21	50000438270	50000438270	1	
22	91-5783-0305-2	91-5783-0305-2	2	
23	91-97.1-03-2	91-97.1-03-2	2	
24	92-420013-0504	92-420013-0504	1	
25	91-5783-0412-1	91-5783-0412-1	2	
26	82000166120	82000166120	1	
27	91-848-10-2	91-848-10-2	2	
28	91-93-10-1	91-93-10-1	2	
29	91-70.1-1030-1	91-70.1-1030-1	2	
30	82000141270	ZPT1203	1	
31	82000140150	ZPT1204	1	
32	91-70.3-0410-1	ZHD1014	6	
33	82005112260	82005112260	1	
34	91-70.3-0408-1	ZHD1055	4	
35	82000139170	82000139170	2	
36	82000137290	82000137290	1	
37	82000165120	82000165120	1	
38	93-420002-0005	93-420002-0005	1	
39	82000129100	82000129100	1	
48	82005113150	82005113150	1	
49	91-70.3-0410-1	ZHD1014	2	
50	82005114280	82005114280	2	
51	82005115280	82005115280	2	
52	91-77-0404-1	ZHD1015	2	
53	91-97.1-05-2	91-97.1-05-2	2	
54	91-70.1-0510-1	91-70.1-0510-1	2	

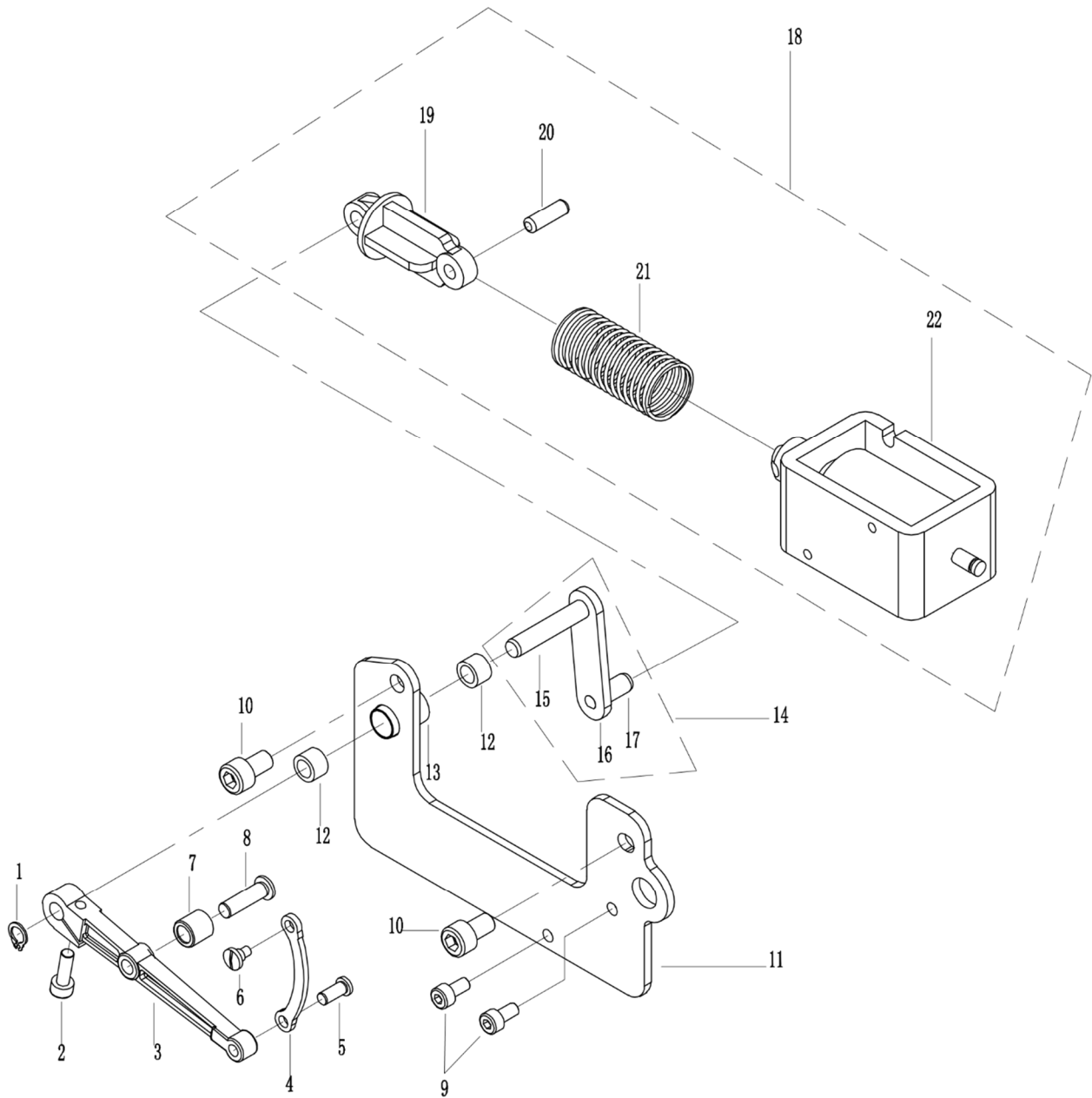
Hook Drive Housing Ver. 2



12. Thread Cutter Drive

Number	Part Number	New #	Quantity	Note
1	82000515200	ZHD1056	1	
2	91-70.1-0412-1	ZHD1057	1	
3	82000520150	ZPT1097	1	
4	82000524150	ZPT1098	1	
5	82000523110	ZPT1206	1	
6	82000525170	ZHD1058	1	
7	91-290.1-0509	ZPT1207	1	
8	82000522110	ZPT1138	1	
9	91-70.1-0408-3	ZHD1054	2	
10	91-70.1-0610-3	ZHD1059	2	
11	82000516150	ZPT1208	1	
12	82000518120	ZPT1209	2	
13	82000517120	ZPT1210	1	
14	82000511003	ZPT1211	1	
15	82000513110	82000513110	1	
16	82000512150	82000512150	1	
17	82000514110	82000514110	1	
18	93-230003-005	93-230003-005	1	
19	82000510260	82000510260	1	
20	82000509110	82000509110	1	
21	82000509160	82000509160	1	
22	93-230003	93-230003	1	

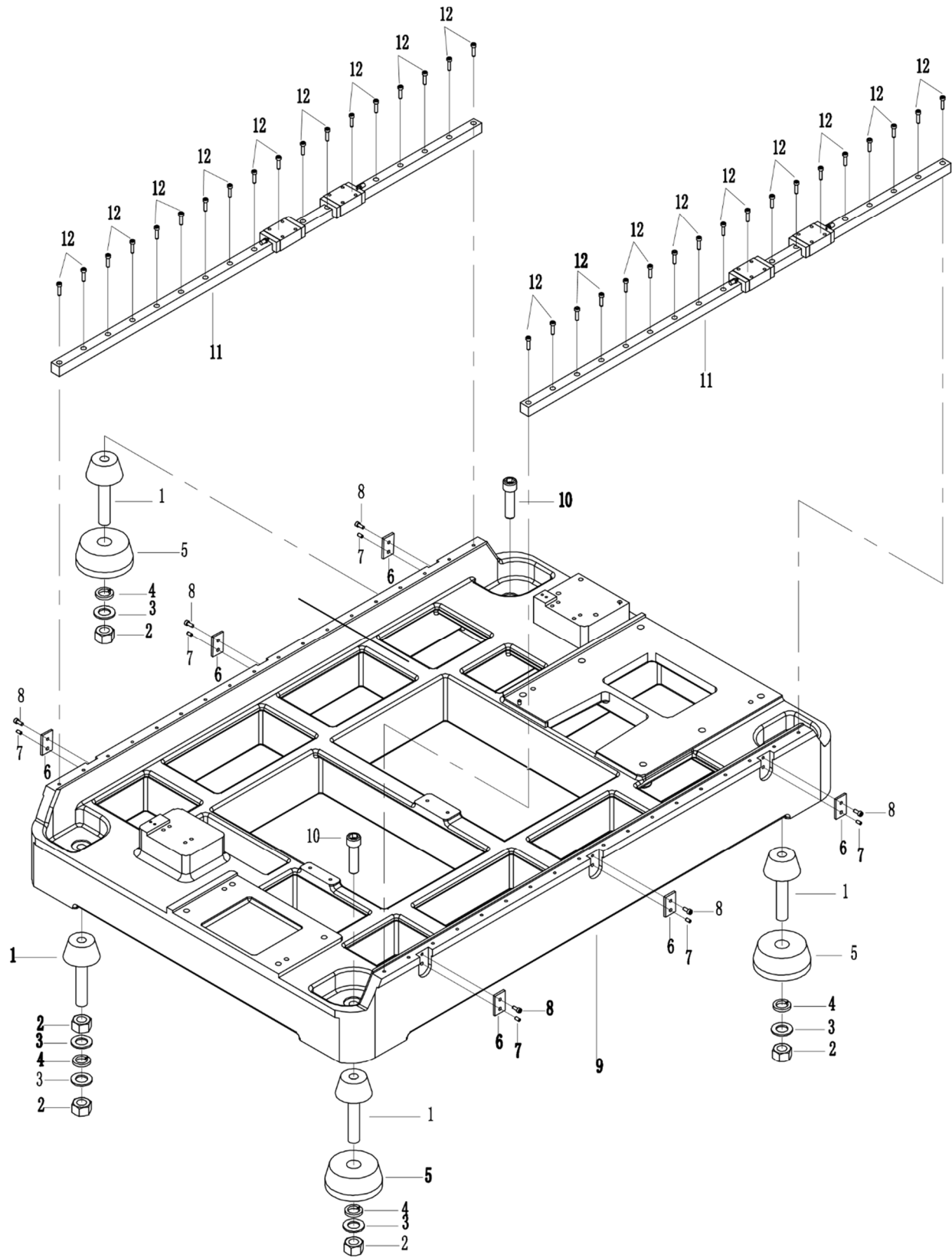
Thread Cutter Drive



13. Machine Base and Y-Axis Bearing Rail Assembly

Number	Part Number	New #	Quantity	Note
1	82000146270	82000146270	4	
2	91-41-20-1	91-41-20-1	5	
3	91-97.1-20-0	91-97.1-20-0	5	
4	91-93-20-1	91-93-20-1	4	
5	82000148290	82000148290	3	
6	82000817290	82000817290	6	
7	91-77-0510-1	91-77-0510-1	6	
8	91-70.1-0512-1	ZHD1011	6	
9	82000145100	82000145100	1	
10	91-70.1-1660-1	91-70.1-1660-1	2	
11	82000815005	82000815005	2	
12	91-70.1-0520-1	91-70.1-0520-1	36	

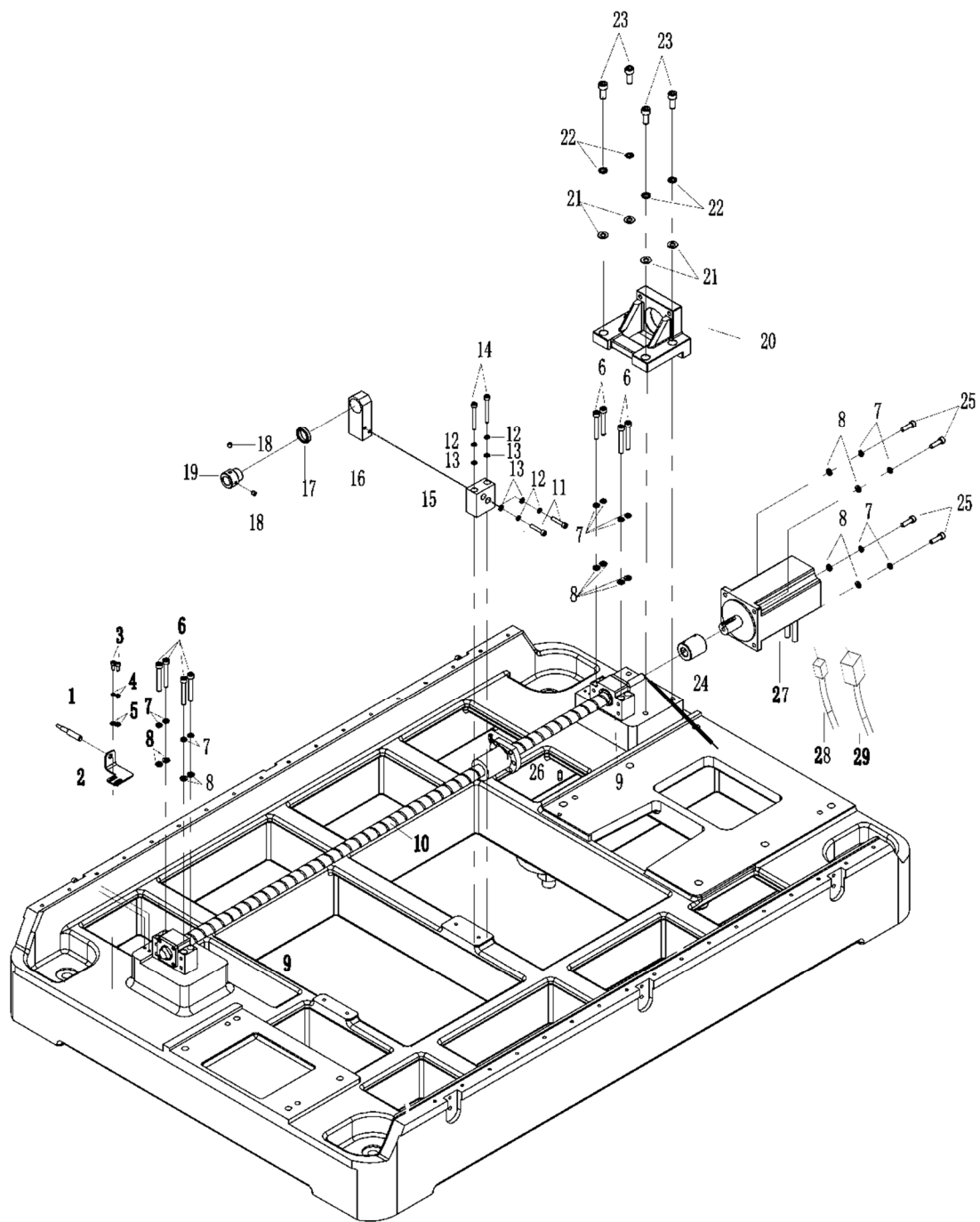
Machine Base and Y-Axis Bearing Rail Assembly



14. Y-Axis Motor and Ball Screw Assembly

Number	Part Number	New #	Quantity	Note
1	93-300004-08	93-300004-08	1	
2	82000822150	82000822150	1	
3	91-70.1-0410-1	91-70.1-0410-1	2	
4	91-93-04-1	ZHD1021	2	
5	91-97.1-04-0	ZHD1024	2	
6	91-70.1-0645-1	91-70.1-0645-1	8	
7	91-93-06-1	ZHD1023	8	
8	91-848-06-0	91-848-06-0	8	
9	82000803005	82000803005	2	
10	82000808005	82000808005	1	
11	91-70.1-0525-1	ZHD1012	2	
12	91-93-05-1	ZHD1022	4	
13	91-848-05-0	ZHD1043	4	
14	91-70.1-0545-1	91-70.1-0545-1	2	
15	82000150290	82000150290	1	
16	82000151290	82000151290	1	
17	6802ZZ	6802ZZ	1	
18	82000124170	ZHD1042	2	
19	82000152120	82000152120	1	
20	82000801100	82000801100	1	
21	91-97.1-08-0	91-97.1-08-0	4	
22	91-93-08-1	91-93-08-1	4	
23	91-70.1-0820-1	91-70.1-0820-1	4	
24	82000802125	ZPT1107	1	
25	91-70.1-0620-1	ZHD1041	4	
26	91-119.1-0612-0	91-119.1-0612-0	1	
27	ESM80K-C2	ESM80K-C2	1	Servo Motor
28	LAC-AAA401	LAC-AAA401	1	Motor Power
29	LEC-AAA401	LEC-AAA401	1	Encoder Cable

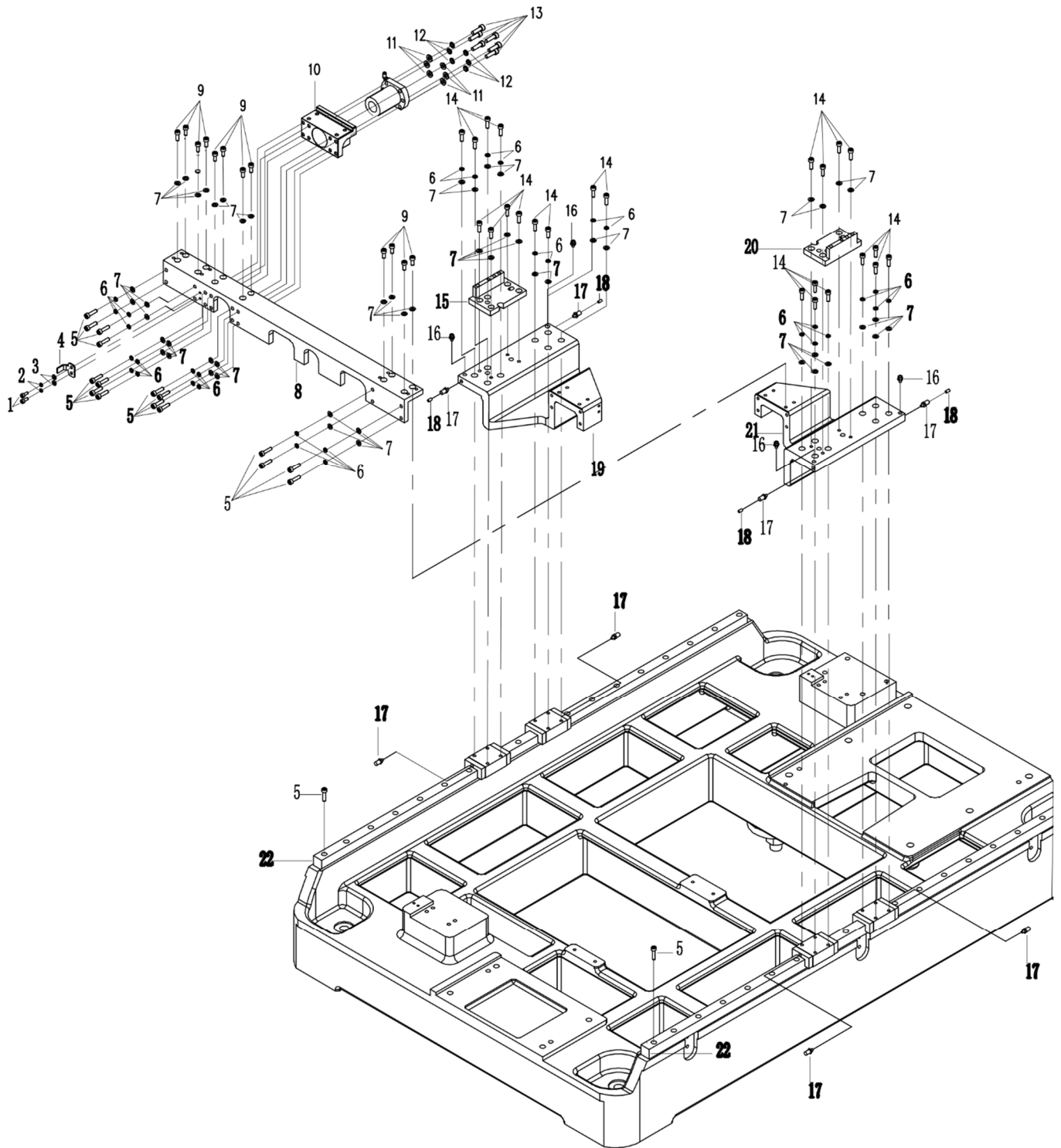
Y-Axis Motor and Ball Screw Assembly



15. Y-Axis Carriage Assembly

Number	Part Number	New #	Quantity	Note
1	91-70.1-0410-1	91-70.1-0410-1	2	
2	91-93-04-1	ZHD1021	2	
3	91-97.1-04-0	ZHD1024	2	
4	82000821150	82000821150	1	
5	91-70.1-0520-1	91-70.1-0520-1	52	
6	91-93-05-1	ZHD1022	32	
7	91-97.1-05-0	ZHD1025	52	
8	82000812290	82000812290	1	
9	91-70.1-0512-1	ZHD1011	12	
10	8200 0811290	8200 0811290	1	
11	91-97.1-06-0	ZHD1026	6	
12	91-93-06-1	ZHD1023	6	
13	91-70.1-0620-1	ZHD1041	6	
14	91-70.1-0516-1	91-70.1-0516-1	28	
15	82000819005	82000819005	1	
16	92-420008-06	92-420008-06	4	
17	92-42-0006-0304	92-42-0006-0304	8	
18	82000826300	82000826300	4	
19	82000813005	82000813005	1	
20	82000820005	82000820005	1	
21	82000815005	82000815005	1	
22	82000815005	82000815005	1	

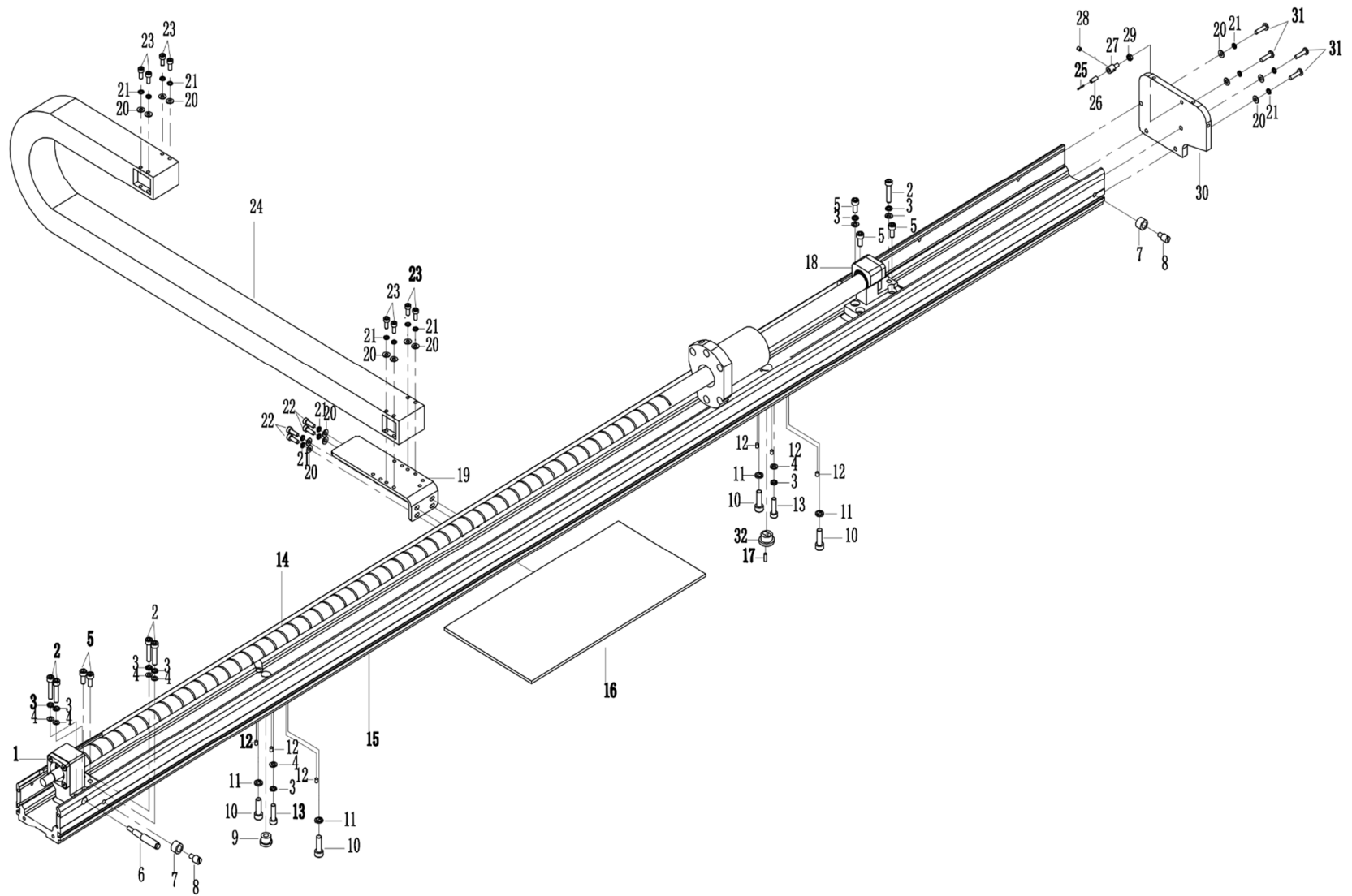
Y-Axis Carriage Assembly



16. X-Axis Ball Screw Assembly

Number	Part Number	New #	Quantity	Note
1	82000707005	82000707005	1	
2	91-70.1-0525-1	ZHD1012	5	
3	91-93-05-1	ZHD1022	7	
4	91-848-05-0	ZHD1043	7	
5	91-70.1-0512-1	ZHD1011	5	
6	93-300002-08	93-300002-08	1	
7	82000731260	82000731260	2	
8	82000732170	82000732170	2	
9	82000704120	82000704120	1	
10	91-70.1-0620-1	ZHD1041	8	
11	91-93-06-1	ZHD1023	8	
12	82000761260	82000761260	6	
13	91-70.1-0520-1	91-70.1-0520-1	2	
14	82000747005	82000747005	1	
14.1	82000766005	82000766005	1	
15	82000765300	82000765300	1	
15.1	82000782300	82000782300	1	
16			1	
17	82000750110	82000750110	1	
18	82000714005	82000714005	1	
19	82000761290	82000761290	1	
20	91-97.1-04-0	ZHD1024	16	
21	91-93-04-1	ZHD1021	16	
22	91-70.1-0412-3	ZHD1053	4	
23	91-70.1-0410-3	ZHD1049	8	
24	82000762260	82000762260	1	
25	82000735400	82000735400	1	
26	92-410019-042.5	92-410019-042.5	1	
27	82000734110	82000734110	1	
28	91-77-0405-1	91-77-0405-1	1	
29	91-6170-04-0	91-6170-04-0	1	
30	82000733280	82000733280	1	
31	91-818-0416-3	91-818-0416-3	4	
32	82000705120	82000705120	1	

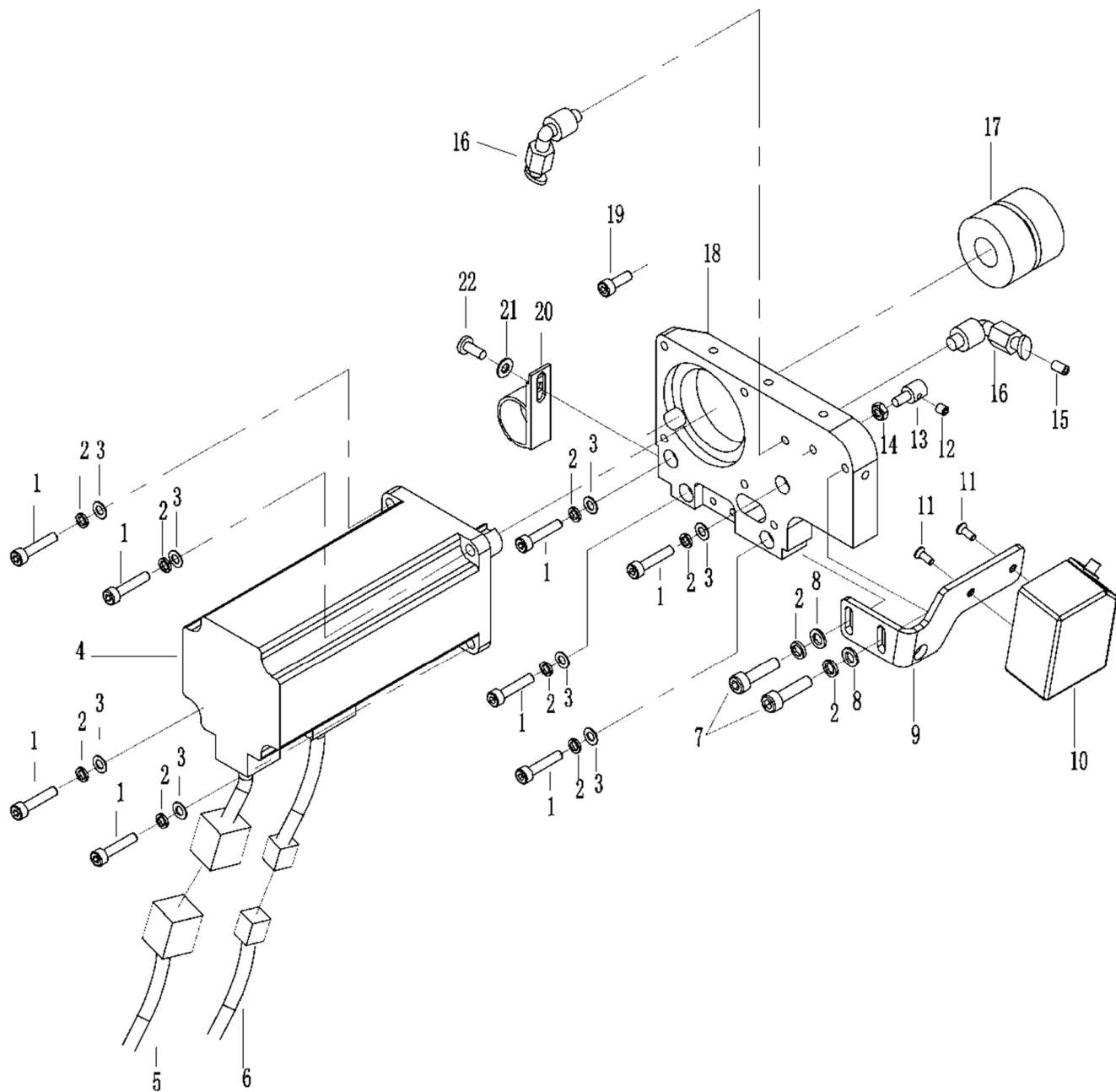
X-Axis Ball Screw Assembly



17. X-Axis Motor Assembly

Number	Part Number		Quantity	Note
1	91-70.1-0420-1	91-70.1-0420-1	8	
2	91-93-04-1	ZHD1021	10	
3	91-818-04-0	91-818-04-0	8	
4	LSM60C-C2	LSM60C-C2	1	Servo Motor
5	LEC-AAA401	LEC-AAA401	1	Encoder Cable
6	LAC-AAA401	LAC-AAA401	1	Motor Power
7	91-70.1-0412-3	ZHD1053	2	
8	91-97.1-04-0	ZHD1024	2	
9	82000737290	82000737290	1	
10	93-200001-100	93-200001-100	1	
11	91-70.3-0308-3	91-70.3-0308-3	2	
12	91-77-0405-1	91-77-0405-1	1	
13	82000734110	82000734110	1	
14	91-6170-04-0	91-6170-04-0	1	
15	82-410022-042.5	82-410022-042.5	1	
16	92-420001-0405	ZPT1134	2	
17	82000706125	ZPT1106	1	
18	82000701290	82000701290	1	
19	91-70.1-0412-1	ZHD1057	1	
20	82000161150	82000161150	1	
21	91-97.1-04-0	ZHD1024	1	
22	91-818-0410-3	ZHD1076	1	
23	LSM60C-C2	LSM60C-C2	1	

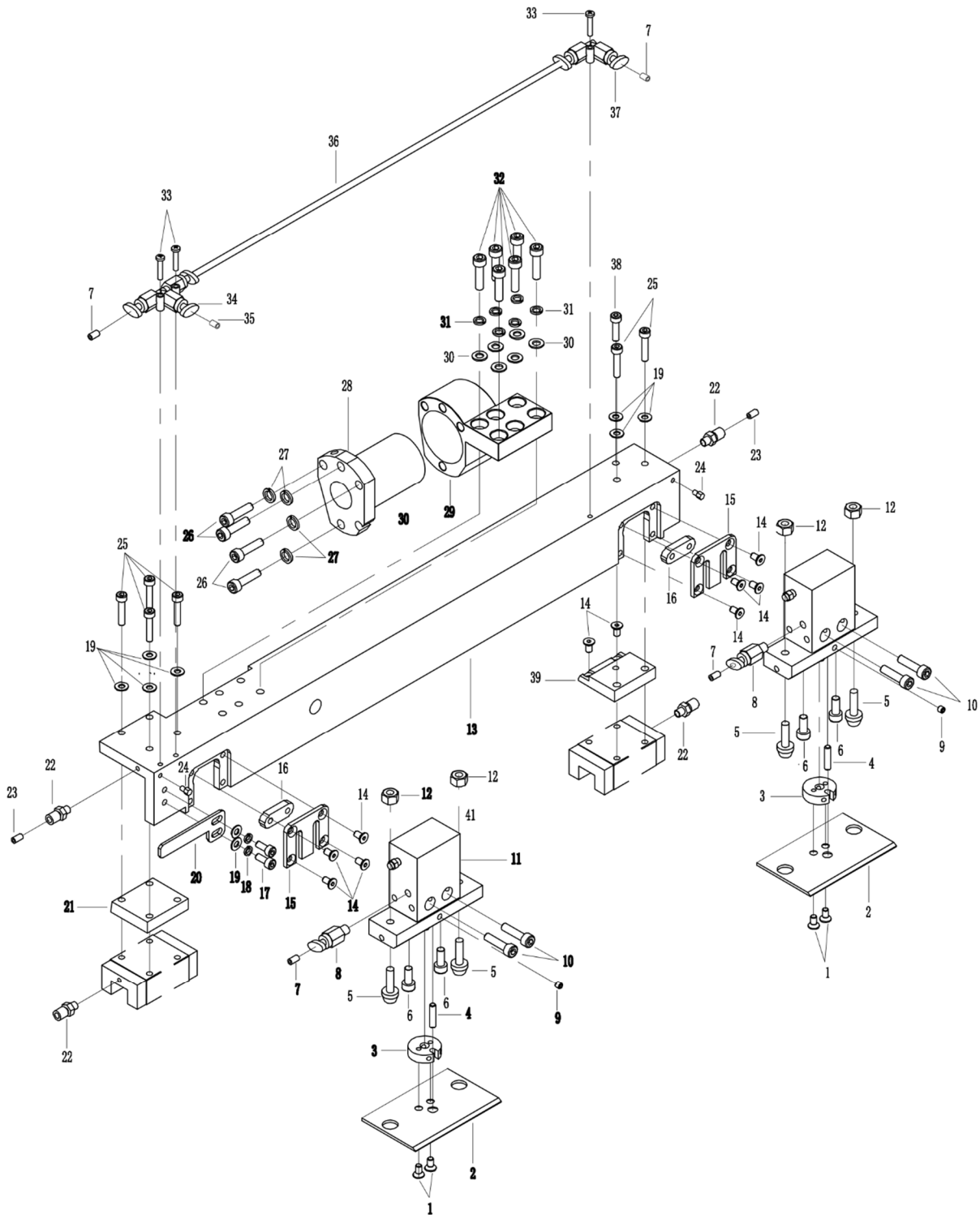
X-Axis Motor Assembly



18. X-Axis Carriage Assembly

Number	Part Number	New #	Quantity	Note
1	91-70.3-0408-0	ZHD1013	4	
2	82000760290	ZPT1216	2	
3	82000758290	82000758290	2	
4	82000759290	ZPT1214	2	
5	82000575290	ZPT1215	4	
6	91-70.1-0512-1	ZHD1011	4	
7	92-410004-042.5	92-410004-042.5	2	
8	92-420003-0504	ZPT1191	2	
9	91-77-0404-1	ZHD1015	2	
10	91-70.1-0525-3	91-70.1-0525-3	4	
11	92-310002-2005	ZPT1212	2	
12	91-41-06-3	91-41-06-3	4	
13	82000745300	82000745300	1	
14	91-70.3-0408-1	ZHD1055	10	
15	82000723290	82000723290	2	
16	82000724290	82000724290	2	
17	91-70.1-0410-3	ZHD1049	2	
18	91-93-04-1	ZHD1021	2	
19	91-97.1-04-0	ZHD1024	9	
20	82000748290	82000748290	1	
21	82000721290	82000721290	1	
22	92-420006-0304	92-420006-0304	4	
23	82000752300	82000752300	2	
24	92-420008-06	92-420008-06	2	
25	91-70.1-0422-1	91-70.1-0422-1	6	
26	91-70.1-0620-1	ZHD1041	4	
27	91-97.1-05-0	ZHD1025	4	
28	82000712120	82000712120	1	
29	82000713290	82000713290	1	
30	91-97.1-05-0	ZHD1025	6	
31	91-93-06-1	ZHD1023	6	
32	91-70.1-0520-1	91-70.1-0520-1	6	
33	91-818-0316-3	91-818-0316-3	3	
34	92-420005-0404	92-420005-0404	1	
35	92-410006-042.5	92-410006-042.5	1	
36	92-410018-042.5	92-410018-042.5	1	
37	92-420004-0404	92-420004-0404	1	
38	91-70.1-0416-1	91-70.1-0416-1	1	
39	82000720290	82000720290	1	

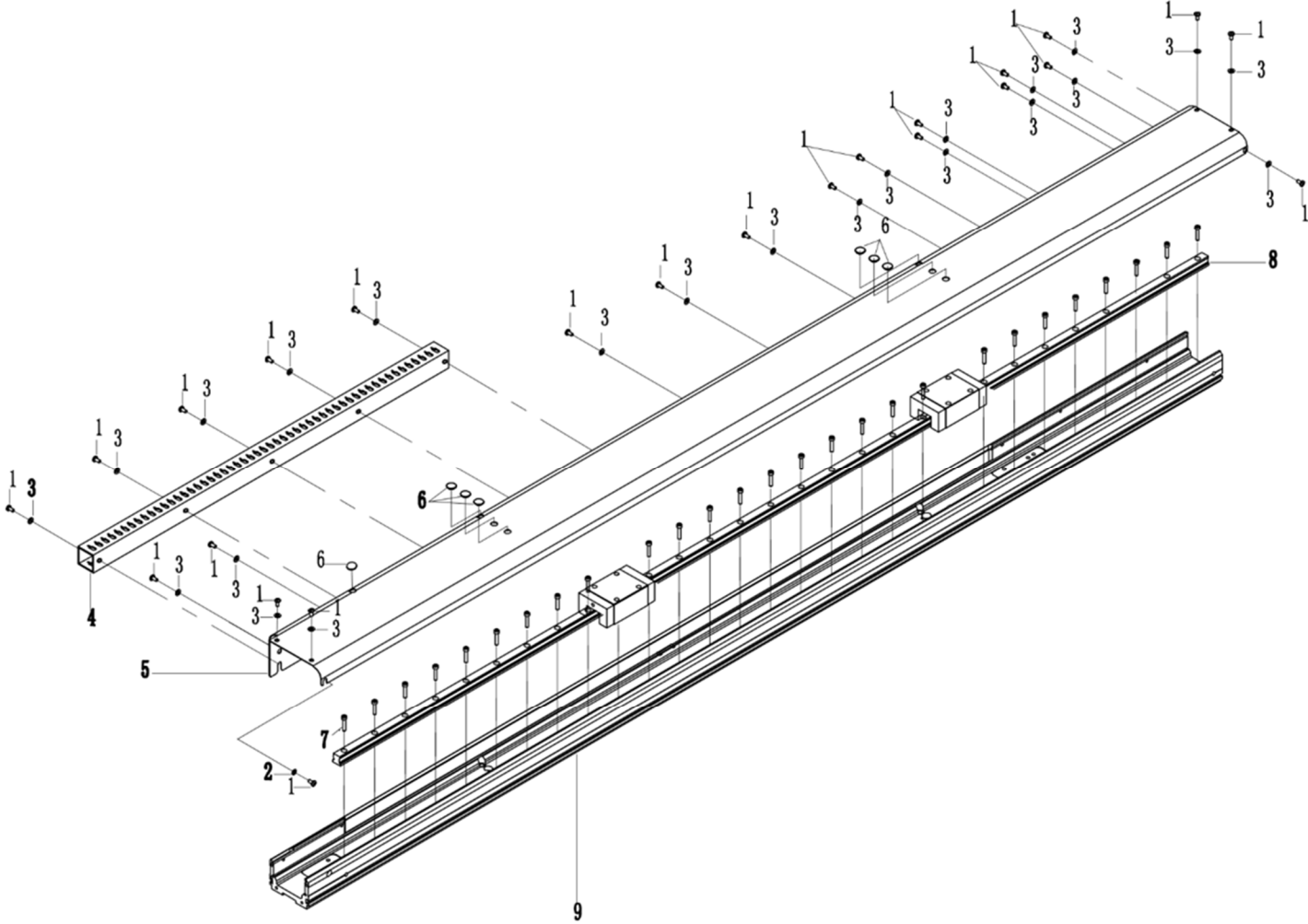
X-Axis Carriage Assembly



19. X-Axis Bearing Rail Assembly

Number	Part Number	New #	Quantity	Note
1	91-818-0408-3	ZHD1075	24	
2	91-848-04-0	91-848-04-0	1	
3	91-97.1-04-0	ZHD1024	23	
4	8200079260	8200079260	1	
5	82000736150	82000736150	1	
6	82000739270	ZPT1104	7	
7	91-70.1-0420-1	91-70.1-0420-1	26	
8	82000718005	82000718005	1	
9	82000746003	82000746003	1	

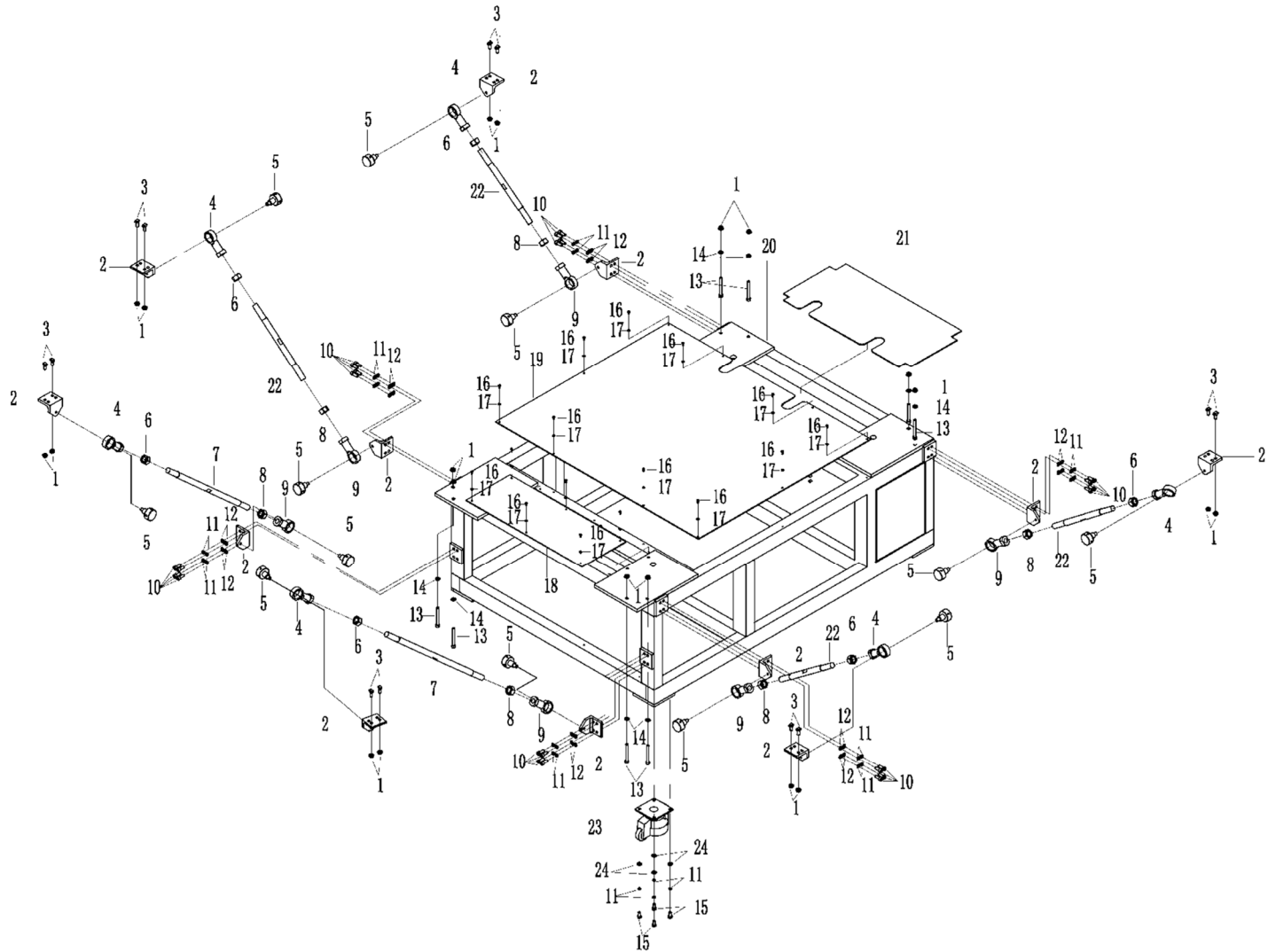
X-Axis Bearing Rail Assembly



20. Machine Frame

Number	Part Number	New #	Quantity	Note
1	82001016180	ZHD1081	20	
2	82001042150	82001042150	12	
3	82001015170	ZHD1082	12	
4	82001045400	82001045400	6	
5	82001043170	82001043170	6	
6	91-6171-18-0	91-6171-18-0	6	
7	82001054110	82001054110	2	
8	82001048480	82001048480	6	
9	82001047400	82001047400	6	
10	91-70.1-0820-1	91-70.1-0820-1	24	
11	91-93-08-1	91-93-08-1	40	
12	91-848-08-0	91-848-08-0	24	
13	91-70.1-0870-1	91-70.1-0870-1	8	
14	91-96.1-08-0	91-96.1-08-0	8	
15	91-5781-0816-1	91-5781-0816-1	16	
16	91-29.2-0408-3	91-29.2-0408-3	16	
17	91-97.1-01-0	91-97.1-01-0	16	
18	82001010150	82001010150	1	
19	82001009150	82001009150	1	
20	82001001003	82001001003	1	
21	82001004150	82001004150	1	
22	82001046110	82001046110	4	
23	82001011400	82001011400	4	
24	91-97.1-08-0	91-97.1-08-0	16	

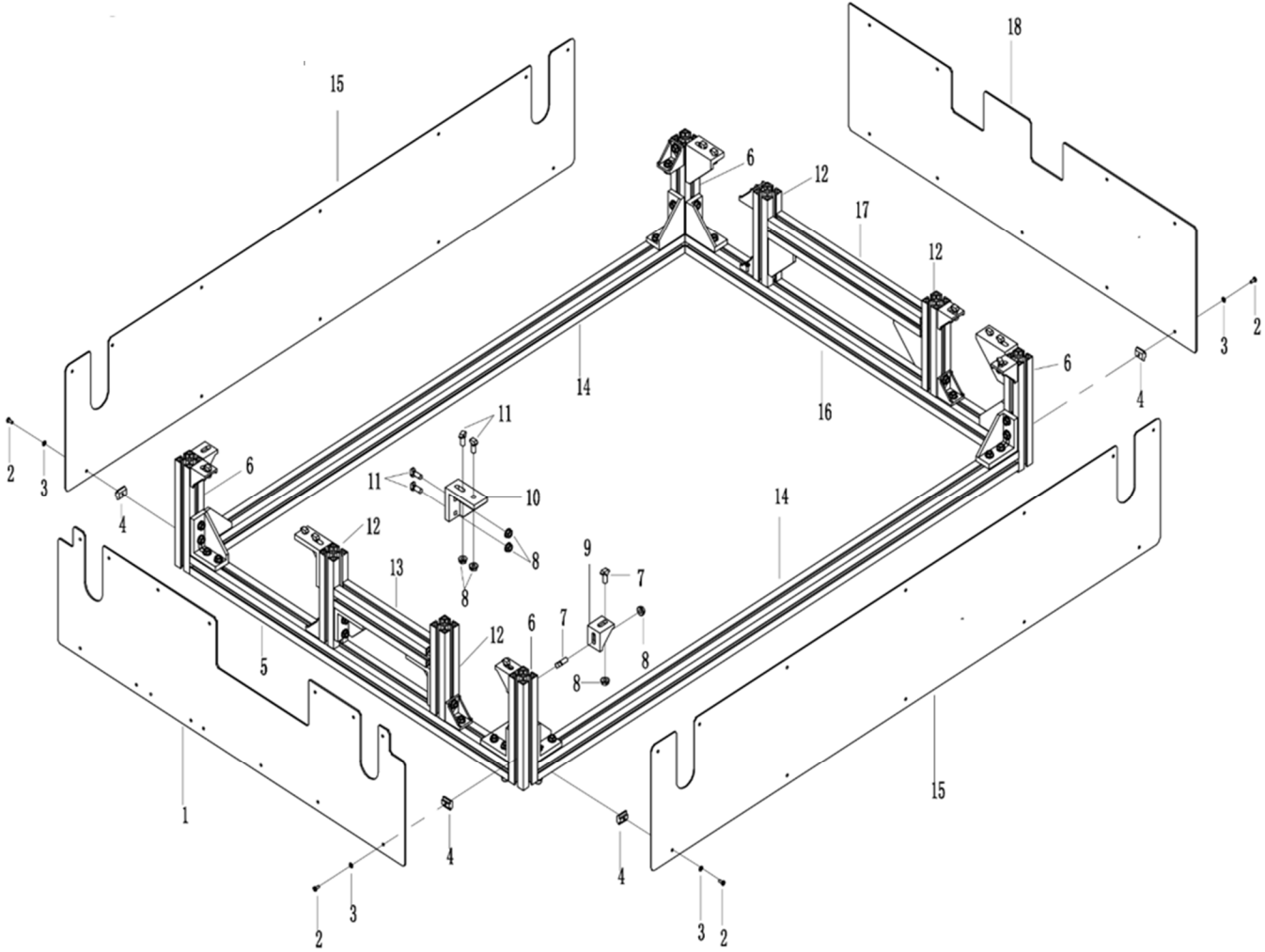
Machine Frame



21. Table Subframe

Number	Part Number	New #	Quantity	Note
1	82001067260	82001067260	1	
2	91-818-0410-3	ZHD1076	47	
3	91-97.1-04-0	ZHD1024	47	
4	82001068180	ZHD1078	47	
5	82001019300	82001019300	1	
6	82001017300	82001017300	4	
7	82006001170	82006001170	24	
8	82001016180	ZHD1081	88	
9	82001040280	82001040280	12	
10	82001014280	82001014280	16	
11	82001015170	ZHD1082	64	
12	82001018300	82001018300	4	
13	82001075300	82001075300	1	
14	82001013300	82001013300	2	
15	82001069260	82001069260	2	
16	82001012300	82001012300	1	
17	82001076300	82001076300	1	
18	82001070260	82001070260	1	

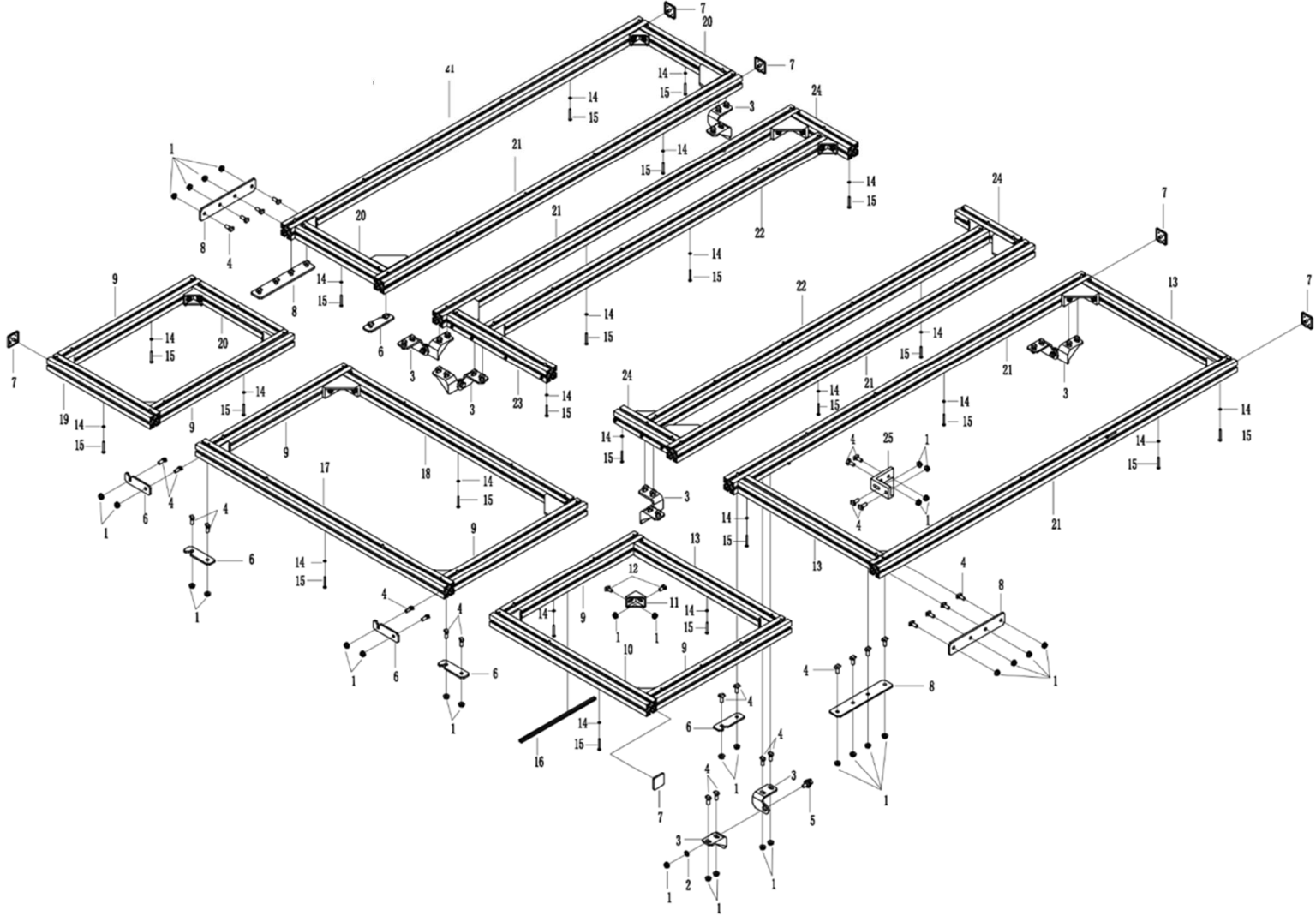
Table Subframe



22. Table Top Structure (100)

Number	Part Number	New #	Quantity	Note
1	82001016180	ZHD1081	134	
2	91-97.1-08-0	91-97.1-08-0	6	
3			12	
4	82001015170	ZHD1082	92	
5	82001035110	82001035110	6	
6	82001060150	82001060150	6	
7	82001076270	82001076270	6	
8	82001059150	82001059150	4	
9	82001057300	82001057300	6	
10	82001096300	82001096300	1	
11	82001040280	82001040280	18	
12	82006001170	82006001170	36	
13	82001093300	82001093300	3	
14	91-848-04-0	91-848-04-0	71	
15	91-818-0435-3	91-818-0435-3	71	
16	82001077270	82001077270	1	
17	82001058300	82001058300	1	
18	82001056300	82001056300	1	
19	82006006300	82006006300	1	
20	82001090300	82001090300	3	
21	82001024300	82001024300	6	
22	82001074300	82001074300	2	
23	82001022300	82001022300	1	
24	82001021300	82001021300	3	
25	82001014280	82001014280	10	

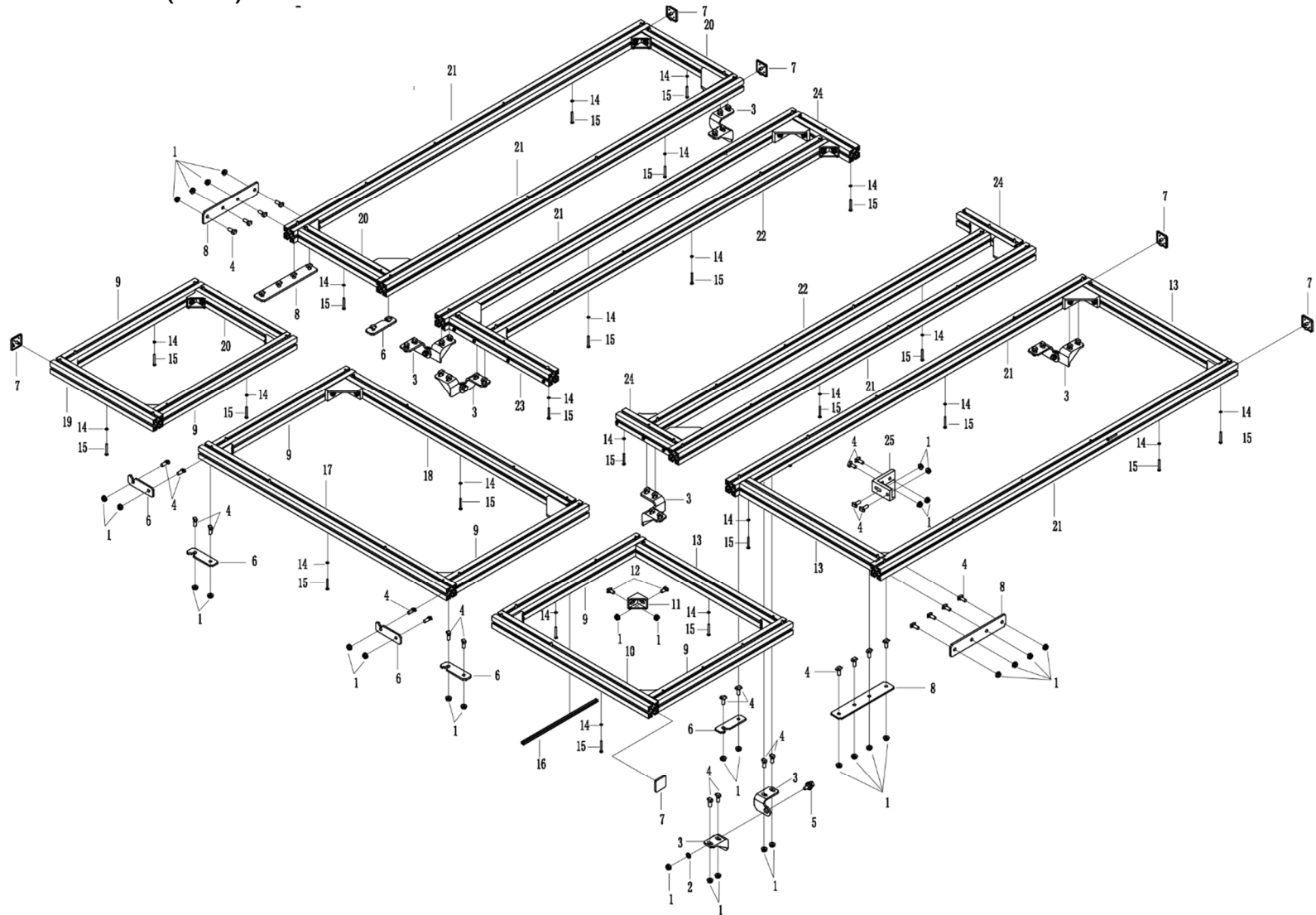
Table Top Structure (100)



23. Table Top Structure (120)

Number	Part Number	New #	Quantity	Note
1	82001016180	ZHD1081	134	
2	91-97.1-08-0	91-97.1-08-0	6	
3			12	
4	82001015170	ZHD1082	92	
5	82001035110	82001035110	6	
6	82001060150	82001060150	6	
7	82001076270	82001076270	6	
8	82001059150	82001059150	4	
9	82001057300	82001057300	6	
10	82006031300	82006031300	1	
11	82001040280	82001040280	18	
12	82006001170	82006001170	36	
13	82006005300	82006005300	3	
14	91-848-04-0	91-848-04-0	71	
15	91-818-0435-3	91-818-0435-3	71	
16	82001077270	82001077270	1	
17	82001058300	82001058300	1	
18	82001056300	82001056300	1	
19	82006008300	82006008300	1	
20	82001093300	82001093300	3	
21	82001024300	82001024300	6	
22	82001074300	82001074300	2	
23	82001022300	82001022300	1	
24	82001021300	82001021300	3	
25	82001014280	82001014280	10	

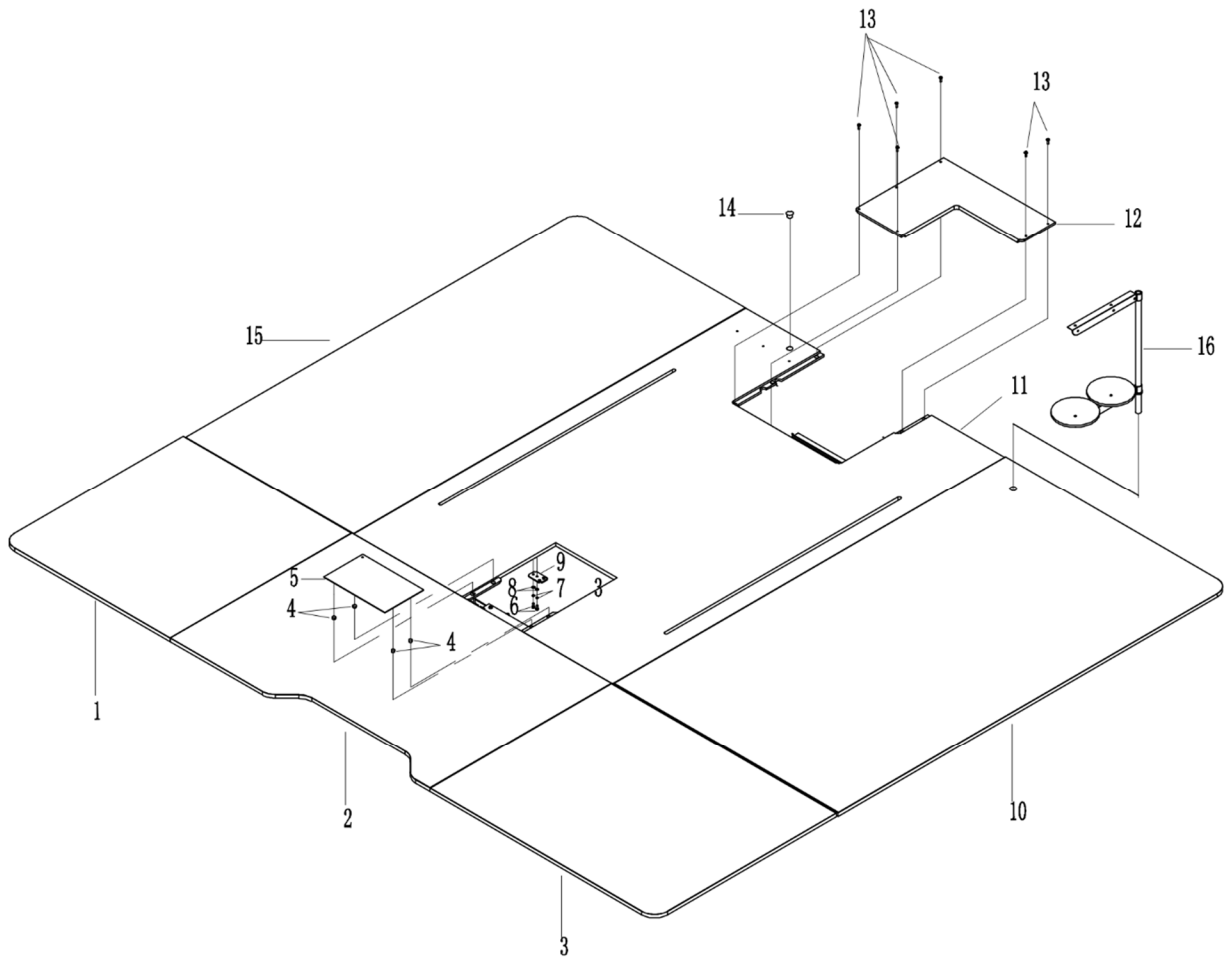
Table Top Structure (120)



24. Table Top (100)

Number	Part Number	New #	Quantity	Note
1	82001095310	82001095310	1	
2	82001061310	82001061310	1	
3	82001097310	82001097310	1	
4	82001023400	82001023400	4	
5	82001029150	82001029150	1	
6	91-70.1-0410-1	91-70.1-0410-1	4	
7	91-93-04-1	ZHD1021	4	
8	91-97.1-04-0	ZHD1024	4	
9	82001080120	82001080120	2	
10	82001091310	82001091310	1	
11	82001025310	82001025310	1	
12	82001026150	82001026150	1	
13	91-67-0412-0	91-67-0412-0	6	
14	82000110270	ZPT1085	1	
15	82001092310	82001092310	1	
16	82001073404	82001073404	1	

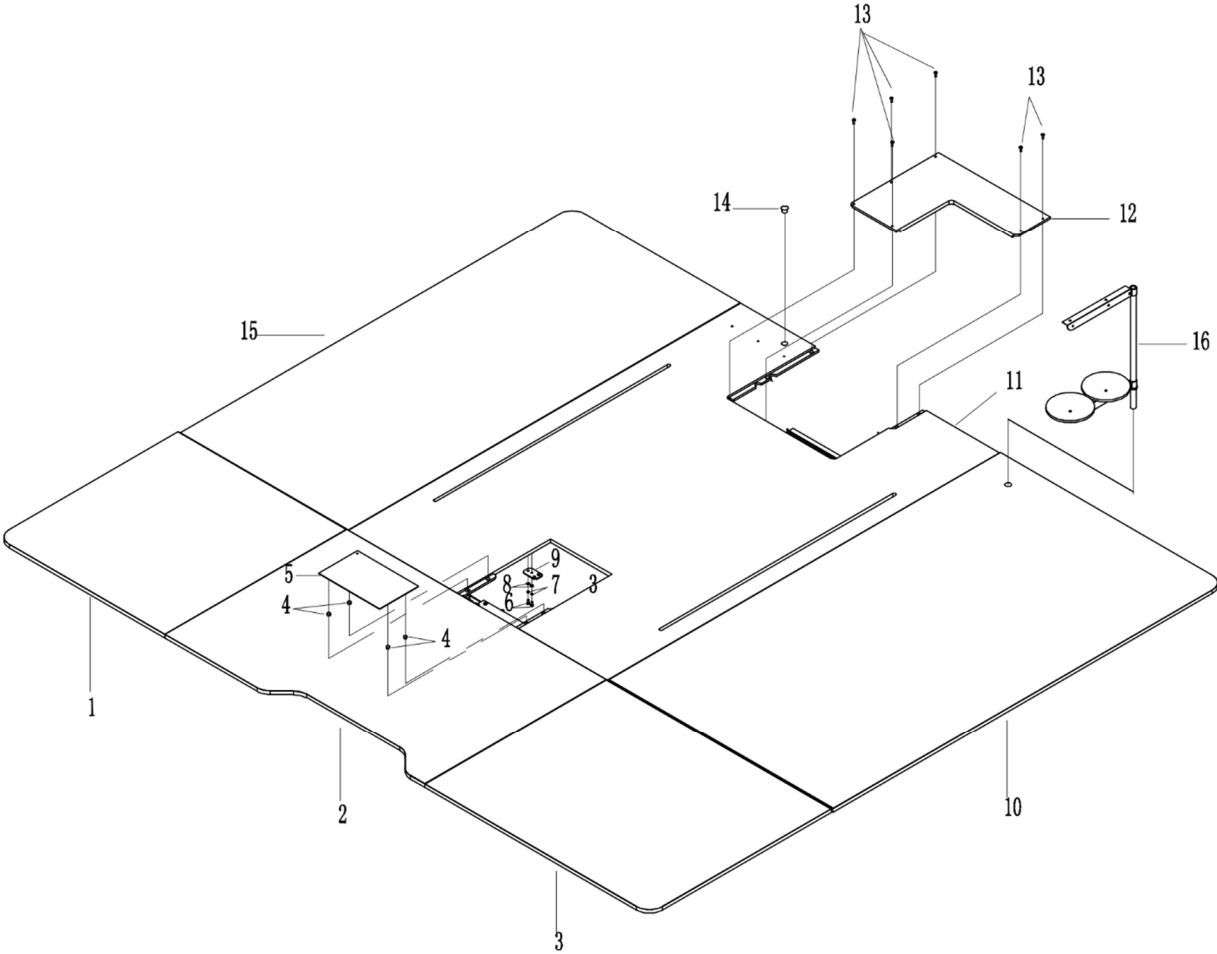
Table Top (100)



25. Table Top (120)

Number	Part Number	New #	Quantity	Note
1	82006007310	82006007310	1	
2	82001061310	82001061310	1	
3	82006009310	82006009310	1	
4	82001023400	82001023400	4	
5	82001029150	82001029150	1	
6	91-70.1-0410-1	91-70.1-0410-1	4	
7	91-93-04-1	ZHD1021	4	
8	91-97.1-04-0	ZHD1024	4	
9	82001080120	82001080120	2	
10	82006004310	82006004310	1	
11	82001025310	82001025310	1	
12	82001026150	82001026150	1	
13	91-67-0412-0	91-67-0412-0	6	
14	82000110270	ZPT1085	1	
15	82006003310	82006003310	1	
16	82001073404	82001073404	1	

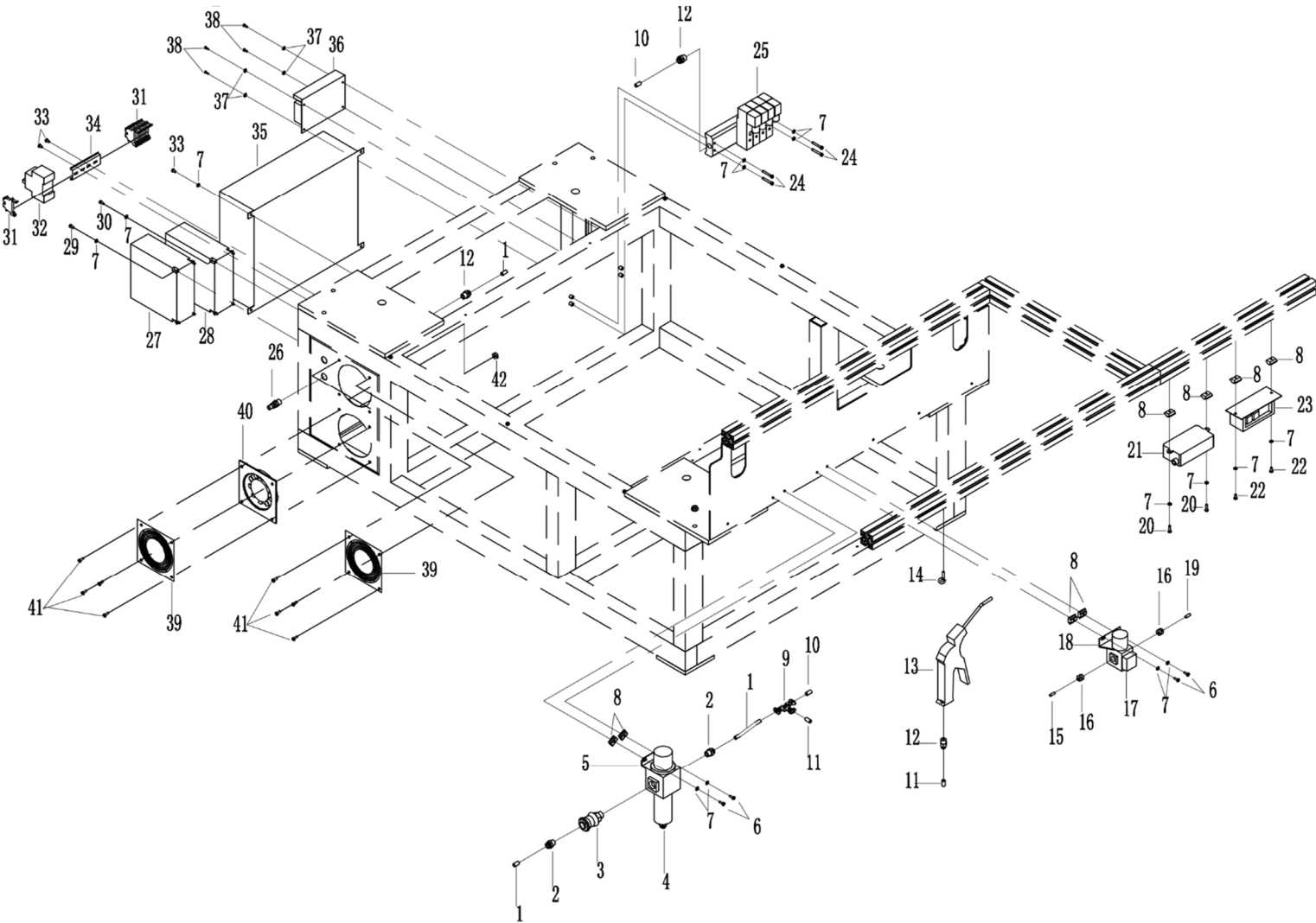
Table Top (120)



26. Electrical and Pneumatic Components

Number	Part Number	New #	Quantity	Note
1	92-410008-0806	92-410008-0806	2	
2	92-420008-08	92-420008-08	2	
3	92-100001-10	ZPT1275	1	
4	92-210001-10	ZPT1287	1	
5	92-400003	92-400003	1	
6	91-818-0412-3	ZHD1077	4	
7	91-97.1-04-0	ZHD1024		
8	82001068180	ZHD1078	4	
9	92-420008-0808	92-420008-0808	1	
10	92-410010-0806	92-410010-0806	1	
11	92-410009-0806	92-410009-0806	1	
12	92-420007-08	92-420007-08	1	
13	92-300001-08	92-300001-08	1	
14	82001150170	82001150170	1	
15	92-410010-042.5	92-410010-042.5	1	
16	92-420009-04	92-420009-04	2	
17	92-230001-04	ZPT1288	1	
18	92-400004	92-400004	1	
19	92-410012-042.5	92-410012-042.5	1	
20	91-818-0416-3	91-818-0416-3	2	
21	93-530002-250	93-530002-250	1	
22	91-818-0410-3	ZHD1076	2	
23	93-540002-250	93-540002-250	1	
24	91-70.1-0430-1	91-70.1-0430-1	4	
25	92-100002-7 005	92-100002-7 005	1	
26	92-420006-08	92-420006-08	1	
27	93-100001-0721	93-100001-0721	1	
28	93-100002-0421	93-100002-0421	1	
29	91-70.1-0420-1	91-70.1-0420-1	4	
30	91-70.1-0416-1	91-70.1-0416-1	4	
31	93-530008-2.5	93-530008-2.5	9	
32	93-540001-50	93-540001-50	1	
33	91-848-0408-3	91-848-0408-3	4	
34	82001102280	82001102280	1	
35	93-110001-005	93-110001-005	1	
36	93-100003 005	93-100003 005	1	
37	91-97.1-03-0	91-97.1-03-0	4	
38	91-70.1-0309-1	91-70.1-0309-1	4	
39	82001123400	82001123400	2	
40	93-200002-200	93-200002-200	1	
41	91-67-0510-3	ZHD1008	8	
42	91-41-05-0	91-41-05-0	4	

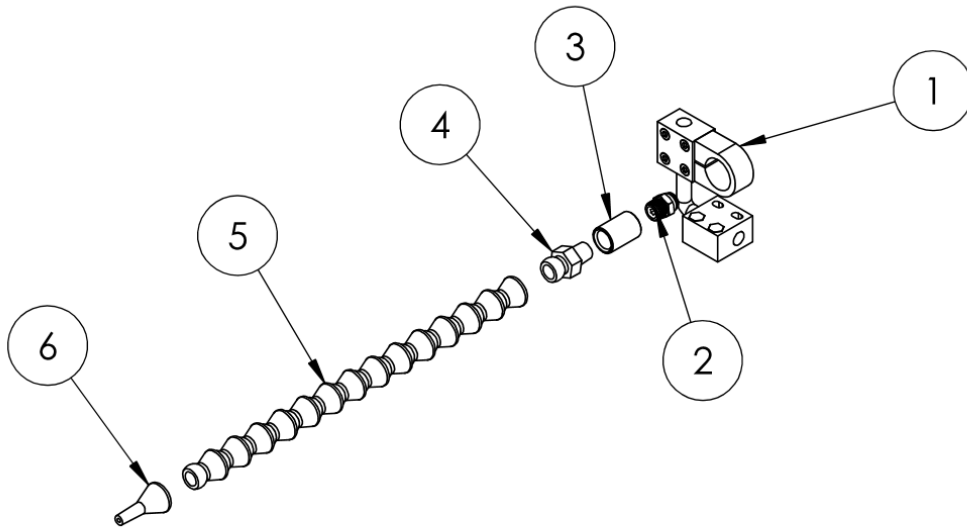
Electrical and Pneumatic Components



27. Needle Cooler

Number	Part Number	New #	Quantity	Note
1	82009050100	ZPT1006	1	
2	82009050101	82009050101	1	
3	82009050102	ZPT1005	1	
4	82009050103	ZPT1004	1	
5	82009050104	ZPT1081	1	
6	82009050105	ZPT1082	1	

Needle Cooler



28. Sewing Accessories

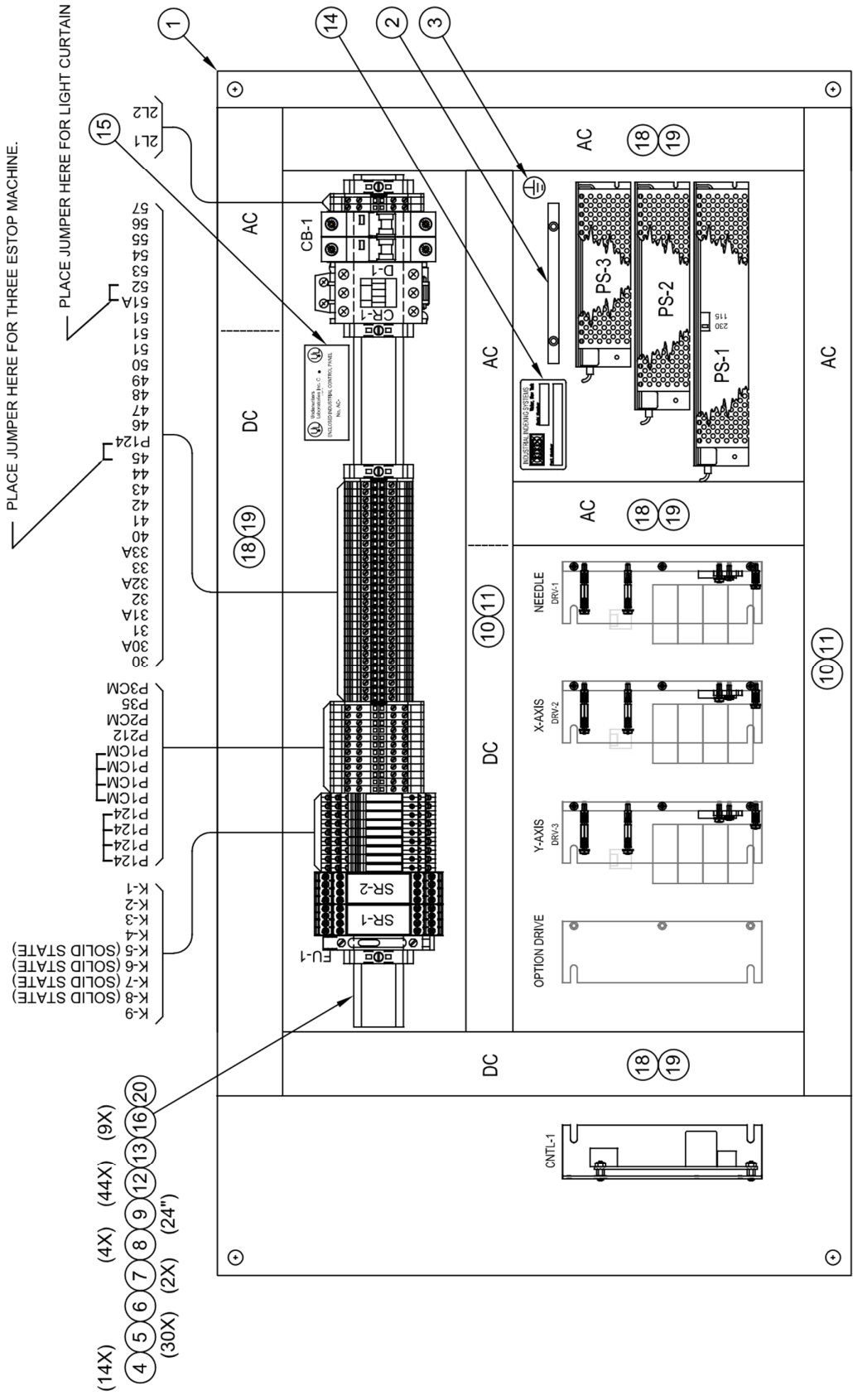
Number	Part Number	Parts name	Quantity	Note
1		Needle	1	DPX17 23 #
2	ZPT1066	Flat Needle plate (4.0)	1	
3	ZBM1001	Cup Foot	1	
4	94-30BTR(MBJ)-DY	Hook component	1	Thin material
5	94-30 AHTR(MBJ)-DY	Hook component	1	Thick material

29. Main Electrical Cabinet

Number	Part Number	Parts name	Quantity	Note
1	EN-468005-RM	Panel	1	
2	PK12GTA	Ground Strip	1	
3	1004526	Label	1	
CNTL-1	LMC-402A-21	Circuit Board Assy.	1	
DRV-1,2,3	LD-500/SE24B	Drive, Luminary, 5A	3	
SR-1	LG5925-48-61-24	Relay, Safety	1	
SR-2	LG5925-48-900-61	Relay, Light Curtain	1	
FU-1	3004171	Fuse Block	1	
FU-1	MDL-2.5	Fuse	1	
PS-1	IPS-24/6.5A	Power Supply, 24V, 5A	1	
PS-2	IPS-12/8.5	Power Supply, 12V, 8.5A	1	
PS-3	LRS-35-5	Power Supply, 5V, 7A	1	
CR-1	SC-E04G24VDC	Contactor, 18A, 24vDC	1	
CR-1	SZ-A11T	Auxiliary Contact, 1NO/1NC	1	
CB-1	WMS2D10	Circuit Breaker, 2P, 10A, D	1	
K-1,2,3,4,9	2966171	Relay, PLC-RSC,24DC/21	5	
K-5,6,7,8	2966595	Relay, Opto, Solid State	4	
4	UT2.5-QUATTRO	Terminal Block, Quad	14	
5	UT2.5	Terminal Block, 2 Pos.	30	
6	D-UT2.5/10	End Cover, UT4 & UT10	1	
7	D-UT2.5/4-QUATRO	End Cover	2	
8	E/UK	End Clamp, Terminal Block	4	
9	NS35/15	Mounting Track	24	
10	E1X3WH6	Wire Duct	5	
11	C1WH6	Wire Duct Cover	5	
12	ZB5	Marker, Terminal Block	44	
13	FBST500-PLCGY	Jumper Bridge	1	
14	83-351729-1	Part Number Tag	1	
15	AC-100450	Label	1	
16	ZB-6	Marker, Terminal Block	9	
17	ID-1289	Label	2	
18	E1.5X3WH6	Wire Duct	5	
19	C1.5WH6	Wire Duct Cover	5	
20	FBS10-5	Jumper Bridge	1	
	C-885002	Cable, Luminary	3	

PLACE JUMPER HERE FOR THREE ESTOP MACHINE.

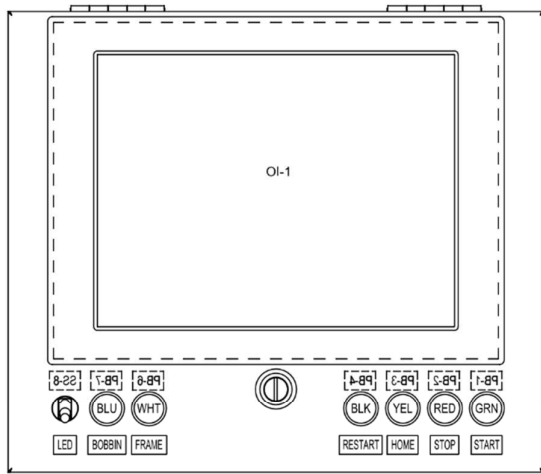
PLACE JUMPER HERE FOR LIGHT CURTAIN MACHINE.



- (14X) (4X) (44X) (9X)
- 4 5 6 7 8 9 12 13 16 20
- (30X) (2X) (24")

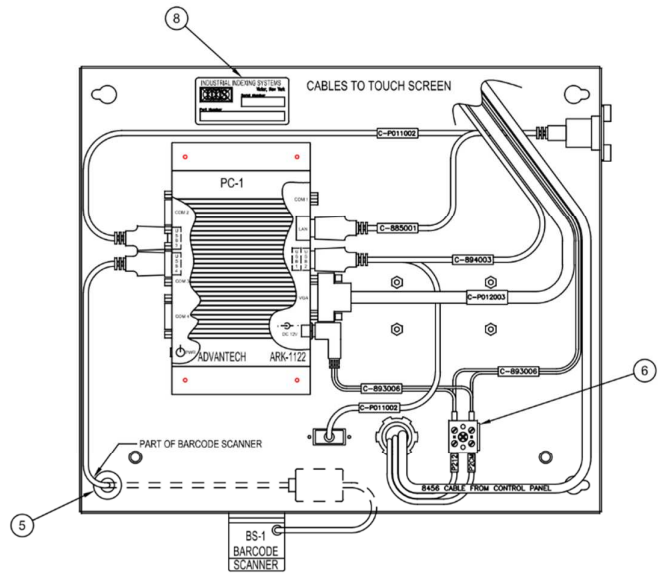
30. Operator Interface and Pushbutton Station

Number	Part Number	Parts name	Quantity	Note
1	AC-100734	Enclosure	1	
2	ECF504-SC6	In Line Coupler, RJ45-RJ45	1	
3	CF-10	Fitting, 3/8"	1	
4	141	Conduit Locknut, 1/2"	1	
5		Grommet, 3/8 x 13/16	1	
6		Terminal Block G 5/2	1	
7		Bracket	1	
8		Part Number Tag	1	
9		Pushbutton Label Kit	1	
10		Cable Tie Anchor	1	
11		Cable Tie	1	
12		Lug, Push On	16	
BS-1		Barcode Scanner	1	
OI-1		Touchscreen Interface	1	
PC-1		PC Controller	1	Specify software version
PB-1		Pushbutton, Green	1	
PB-2		Pushbutton, Red	1	
PB-3		Pushbutton, Yellow	1	
PB-4		Pushbutton, Black	1	
PB-6		Pushbutton, White	1	
PB-7		Pushbutton, Blue	1	
SS-8		Toggle Switch	1	
	C-822000	Cable Adapter, 9P, FE, Std.	1	
	C-885001	Cable, Luminary Comm., 1ft	1	
	C-893006	Power Cable, Right Angle, 6ft	2	
	C-894003	Cable, Comm., 3ft	1	
	C-894015	Cable, Comm., 15ft	1	
	C-P011002	Cable, Comm., 2ft	2	
	C-P012003	Cable, Peripheral, 3ft	1	

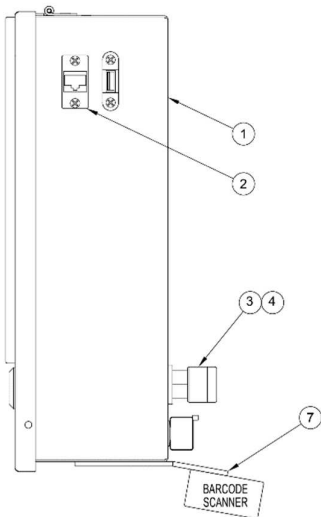


9 12 16X

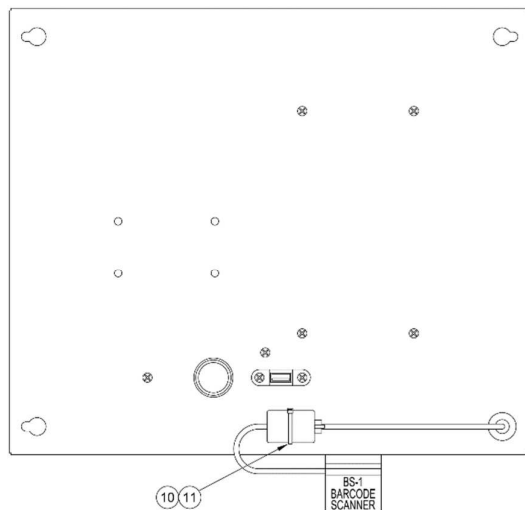
FRONT VIEW



FRONT VIEW WITH COVER REMOVED



RIGHT SIDE VIEW



REAR VIEW