

Model: NC6L / 206RBL

30" Long Arm Single Needle Walking Foot



NC Carpet Binding & Equipment

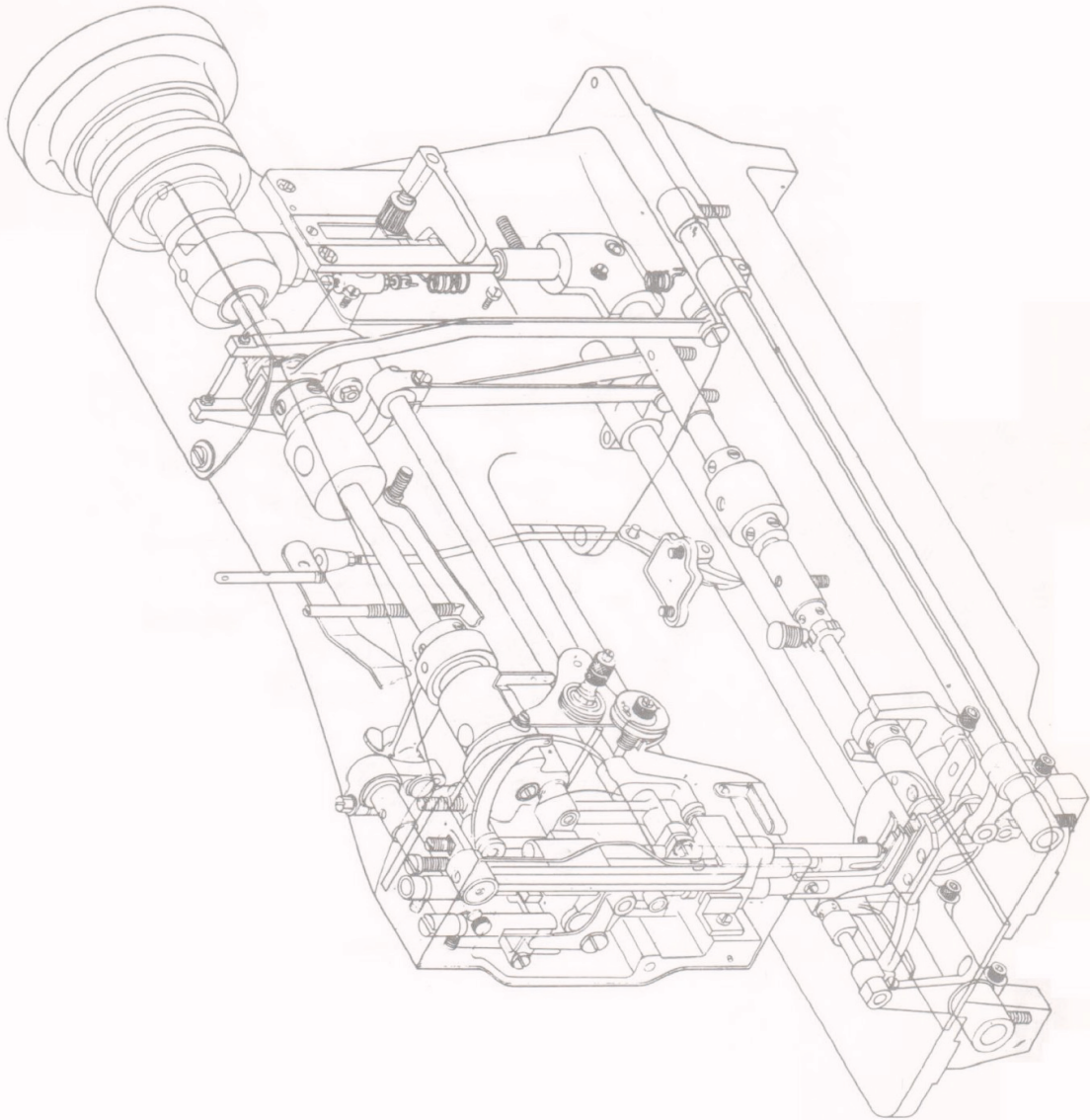
858 Summer Ave

Newark, NJ 07104 USA

973-481-3500 www.nccarpet.com

CONTENS

PERSPECTIVE.....	
THREAD TENSION, GUIDE, NEEDLE PLATE	1
ARM SHAFT, TAKE UP LEVER.....	3
NEEDLE BAR, FEEDING MECHANISM.....	5
PRESSURE BAR	7
LOWER FEEDING MECHANISM.....	9
FEED REGULATOR.....	11
ARM SHAFT, (UPRIGHT), LOWER SHAFT.....	13
ACCESSORIES.....	15



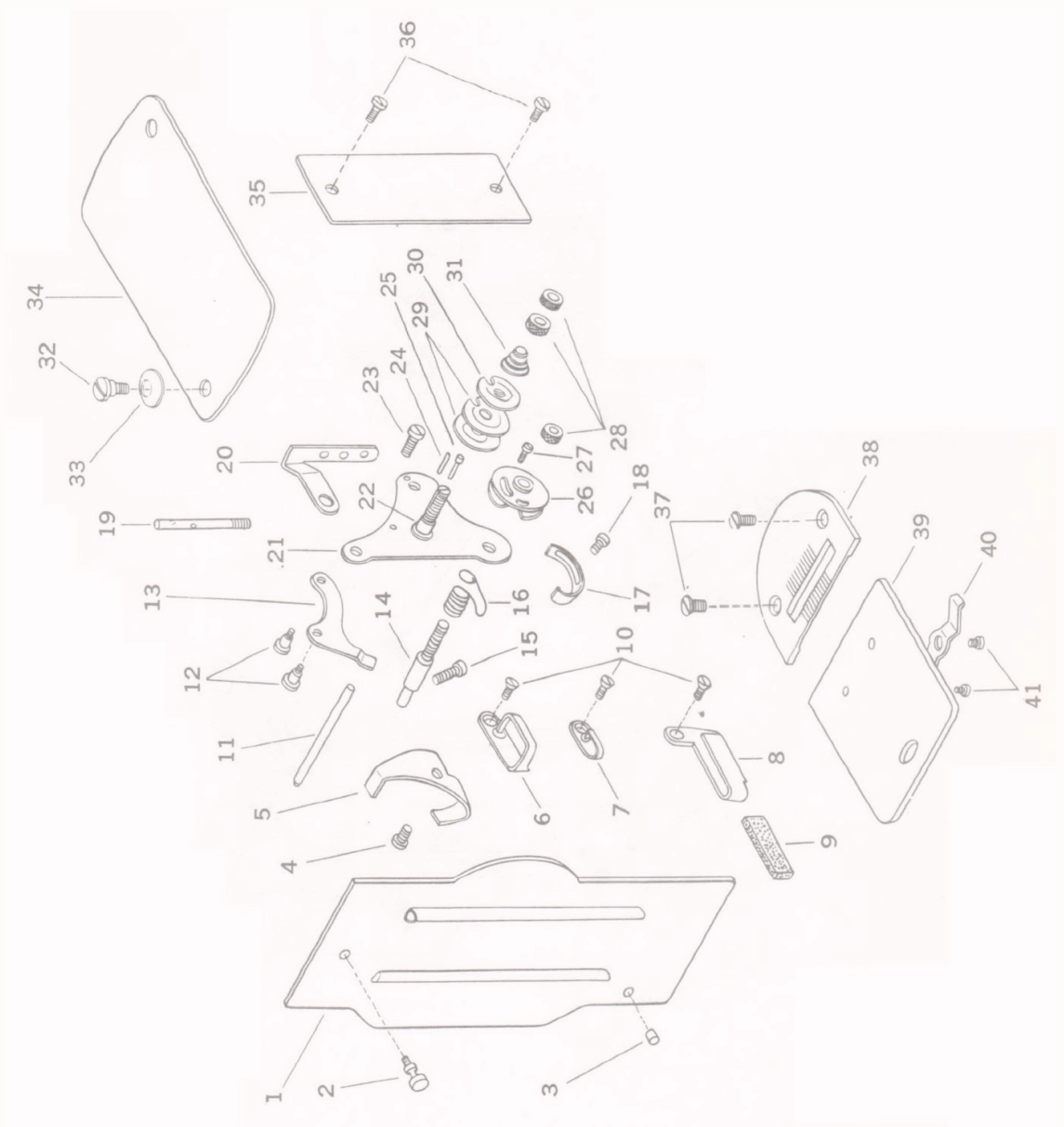


Fig. No.	Parts No	Description	Amt
1	10698	Face plate	1
2	10699	Face plate set screw	1
3	10700	Face plate stopper pin	1
4	10650	Screw for #10551	1
5	10551	Needle bar connecting link oil guard	1
6	10682	Thread guide (upper)	1
7	10683	Thread guide (middle)	1
8	10759	Thread guige (lower)	1
9	10760	Felt for thread guide	1
10	10685	Thread guide screw	3
11	10720	Tension release lever rod	1
12	10679	Tension release lever screw	2
13	10678	Tension release lever	1
14	10792	Thread controller stud	1
15	10545	Tension stud set screw	1
16	10689	Thread controller spring	1
17	10690	Thread controller spring stop	1
18	10650	Set screw for #10690	1
19	10709	Spool pin	1
20	15062	Thread retainer	1
21	10675	Tension bracket	1
22	10789	Tension stud	1
23	15055	Set screw for #10675	1
24	10791	Tension bracket pin	1
25	10793	Tension release plunger	1
26	10694	Thread controller disc	1
27	10695	Thread controller disc screw	1
28	10697	Tension thumb nut	3
29	10691	Thread disc	2
30	10692	Tension release washer	1
31	10693	Tension release spring	1
32	10704	Arm cap screw	1
33	10703	Arm cap screw washer	1
34	18004	Arm cap	1
35	18005	Arm side cover	1
36	8100	Set screw for #18005	2
37	6031	Needle plate set screw	2
38	18030	Needle plate	1
39	18032	Bed slide	1
40	6034	Bed slide spring	1
41	6035	Set screw for #6034	2

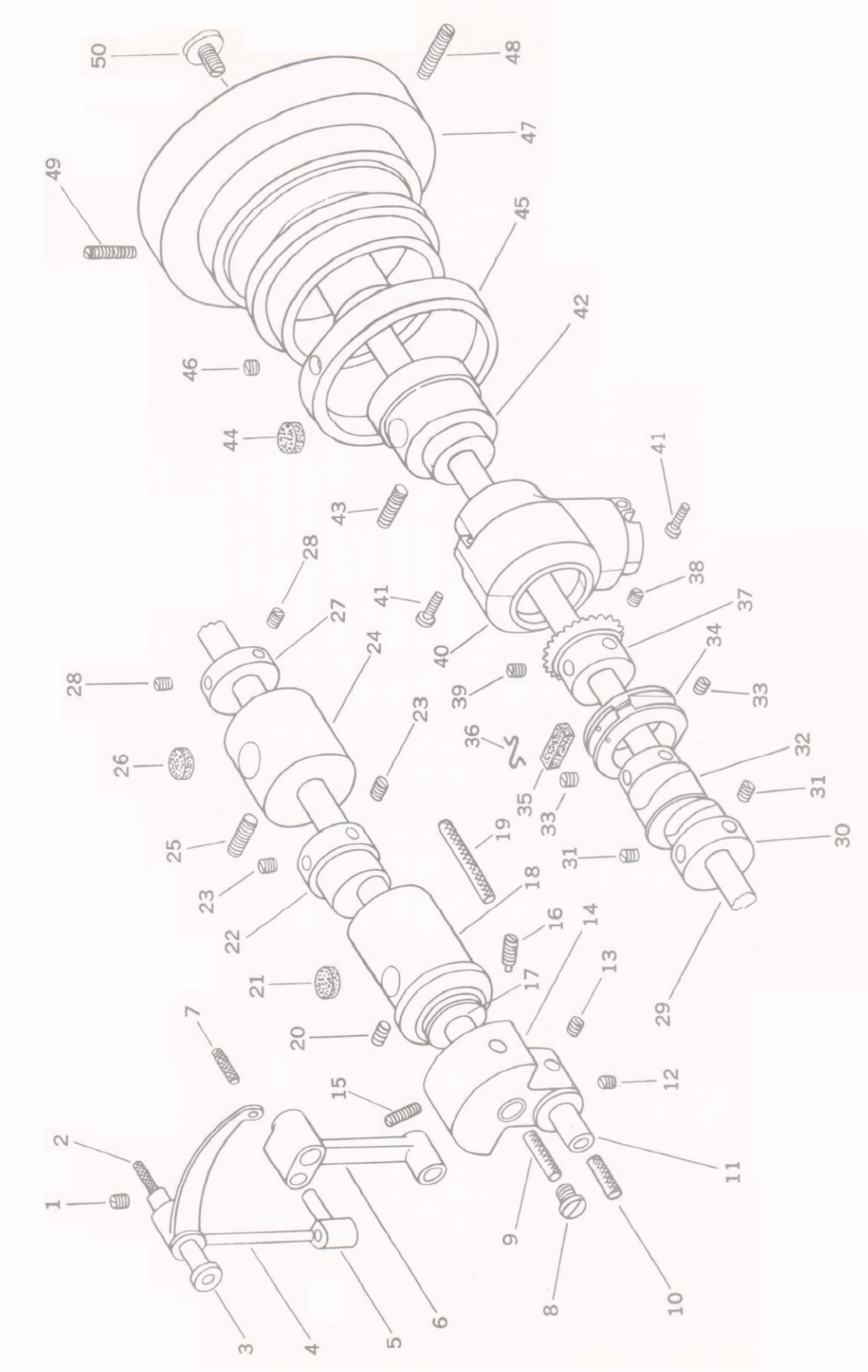


Fig. No.	Parts No	Description	Amt
1	10571	Set screw for #10527	1
2	10726	Oil wick for #10527	1
3	10527	Take up lever hinged stud	1
4	18003	Thread take up lever	1
5	15026	Take up lever driving stud	1
6	10528	Needle bar connecting link	1
7	10728	Oil wick for #15026	1
8	10506	Arm shaft oil packing stop screw	1
9	10724	Oiling wick for arm shaft	1
10	10726	Oiling wick for #10523	1
11	10523	Needle bar connecting link stud	1
12	10764	Set screw (B) for #10523	1
13	10524	Set screw (A) for #10523	1
14	10520	Needle bar crank	1
15	10522	Screw (B) for #10520	1
16	10521	Screw (A) for #10520	1
17	10563	Arm shaft bushing (front) washer	1
18	18006	Arm shaft bushing (front)	1
19	10729	Oil wick for #18006	1
20	10522	Set screw for #18006	1
21	10725	Oiling felt for #18006	2
22	10771	Lifting eccentric	1
23	10566	Screw for #10771	2
24	18008	Arm shaft bushing (middle)	1
25	10571	Set screw for #18008	1
26	10725	Oiling felt for #18008	1
27	17014	Arm shaft bushing collar	1
28	10766	Set screw for #17014	2
29	17011	Arm shaft	1
30	18020	Feed lifting cam	1
31	10766	Set screw for #18020	2
32	18009	Feed driving eccentric	1
33	10766	Set screw for #18009	2
34	17040	Feed fork collar	1
35	17041	Oiling felt for #17040	1
36	10723	Oiling felt presser pin	1
37	17017	Arm shaft gear (spiral)	1
38	17018	Set screw (A) for #17017	1
39	17019	Set screw (B) for #17017	1
40	17015	Gear cover (upper)	1
41	17016	Set screw for #17015	2
42	17013	Arm shaft bushing (rear)	1
43	10571	Set screw for #17013	1
44	13081	Oiling felt for #17013	1
45	13423-B	Stitch length indicator	1
46	10566	Set screw for #13423-B	1
47	10504	Balance wheel	1
48	10576	Set screw (A) for #10504	1
49	10579	Set screw (B) for #10504	1
50	10577	Balance wheel adjusting screw	1

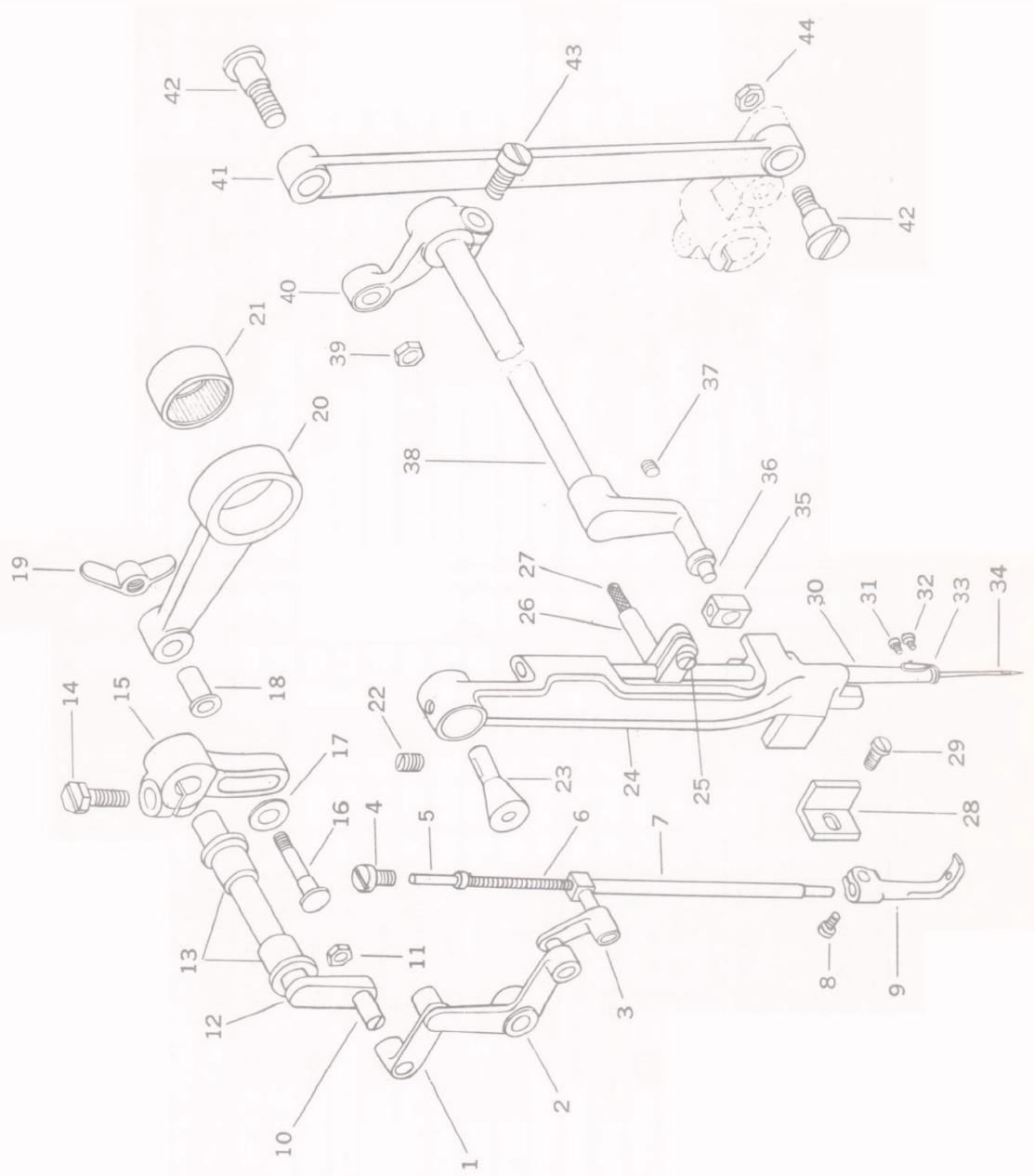


Fig. No.	Parts No	Description	Amt
1	10557	Lifting bell crank link	1
2	10558	Lifting bell crank	1
3	10556	Vibrating presser bar connecting link	1
4	15060	Screw for #10555	1
5	10553	Vibrating presser bar extension	1
6	10554	Vibrating presser bar extension spring	1
7	10555	Vibrating presser bar	1
8	10662	Vibrating presser foot pinch screw	1
9	10795	Vibrating presser foot	1
10	10519	Screw for #10515	1
11	10517	Nut for #10519	1
12	10515	Lifting rock shaft	1
13	10514	Lifting rock shaft bushing	2
14	10754	Clamp screw for #10751	1
15	10751	Lifting eccentric connecting crank	1
16	10775	Screw for #10774	1
17	10703	Washer for #10774	1
18	10774	Lifting eccentric connecting collar	1
19	10776	wing nut for #10772	1
20	10772	Lifting eccentric connection	1
21	10773	Needle bearing for #10772	1
22	10525	Screw for #10536	1
23	20103	Needle bar rock frame hinged stud	1
24	10536	Needle bar rock frame	1
25	10532	Set screw for #10531	1
26	10531	Needle bar connecting stud	1
27	10726	Oil wick for #10531	1
28	10560	Needle bar rock frame position bracket	1
29	10561	Set screw for #10560	1
30	10530	Needle bar	1
31	10534	Set screw for #10533	1
32	10535	Needle set screw	1
33	10533	Needle bar thread guide	1
34	6332	Needle DPx17 #22	1
35	10582	Needle bar rock frame slide block	1
36	10580	Needle bar rock frame slide block stud	1
37	10581	Screw for #17048	1
38	17048	Needle bar rock frame rock shaft	1
39	6026	Nut (upper) for #18017	1
40	18016	Needle bar rock frame rock shaft crank	1
41	18017	Needle bar rock frame rock shaft crank connection	1
42	18018	Hinge screw for #18017	2
43	10519	Set screw for #18016	1
44	8105	Nut for #18018	1

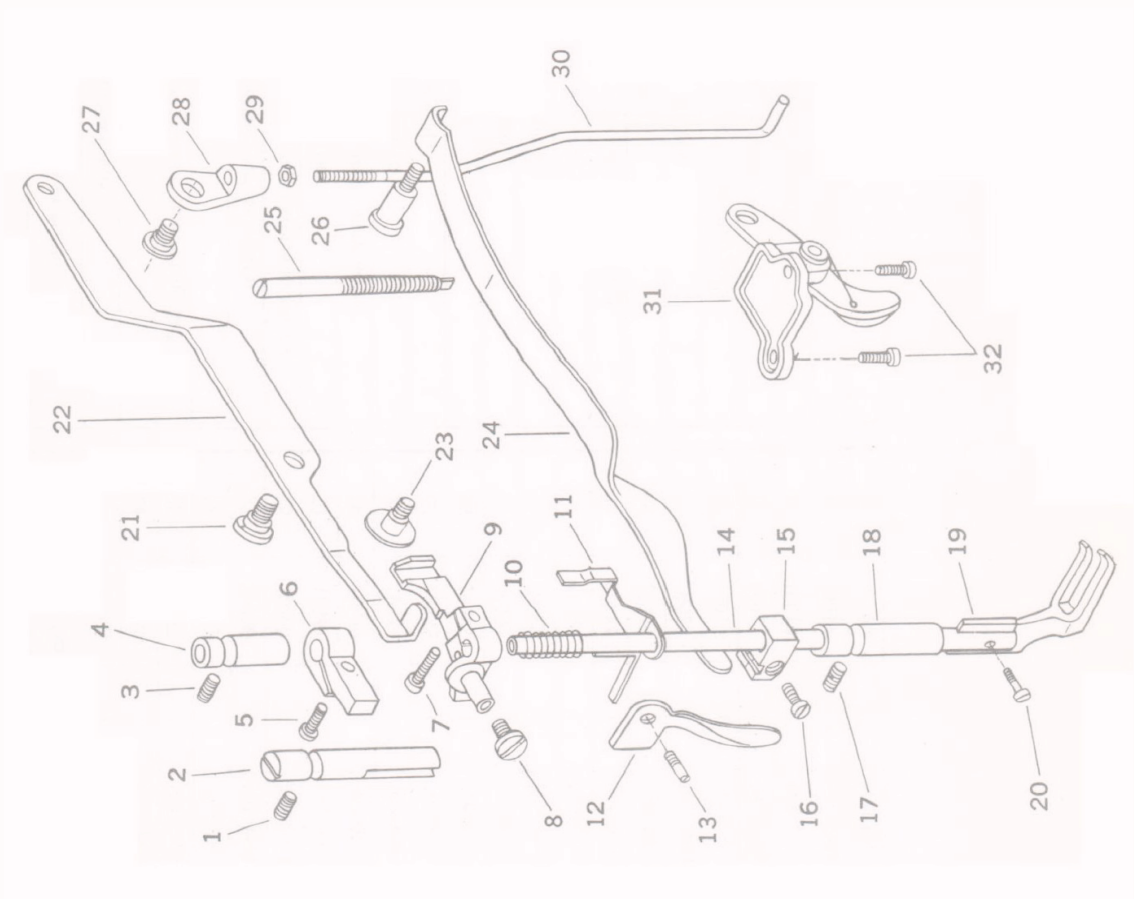


Fig. No.	Parts No	Description	Amt
1	10761	Set screw for #10543	1
2	10543	Presser bar position guide	1
3	10761	Set screw for #10538	1
4	10538	Presser bar position (upper)	1
5	10662	Pinch screw for #10543	1
6	10541	Presser bar position guide barcket	1
7	10545	Screw for #10544	1
8	10559	Set screw for #10558	1
9	10544	Presser bar lifting bracket	1
10	10547	Tension release spring	1
11	10546	Tension release slide	1
12	10659	Presser bar lifter	1
13	10660	Hinge screw for #10659	1
14	10540	Presser bar	1
15	10549	Presser bar spring barcket	1
16	10532	Pinch screw for #10549	1
17	10761	Set screw for #10531	1
18	10531	Presser bar bushing (lower)	1
19	10796	Lifting presser foot	1
20	10664	Pinch screw for #10796	1
21	10712	Set screw for #18080	1
22	18080	Knee lifter lifting lever	1
23	10548	Presser bar lifting bracket guide screw	1
24	10705	Presser bar spring (flat)	1
25	11156	Presser bar spring (fiat) regulating screw	1
26	10706	Presser bar spring (fiat) supporting screw	1
27	6384	Hinge screw for #6359	1
28	6359	Knee lifter lifting lever connecting rod joint	1
29	6360	Knee lifter lifting lever connecting rod screw	1
30	18081	Knee lifter lifting lever connecting rod	1
31	18082	Knee lifter bell crank complete	1
32	18085	Set screw for Knee lifter bell crank complete	2

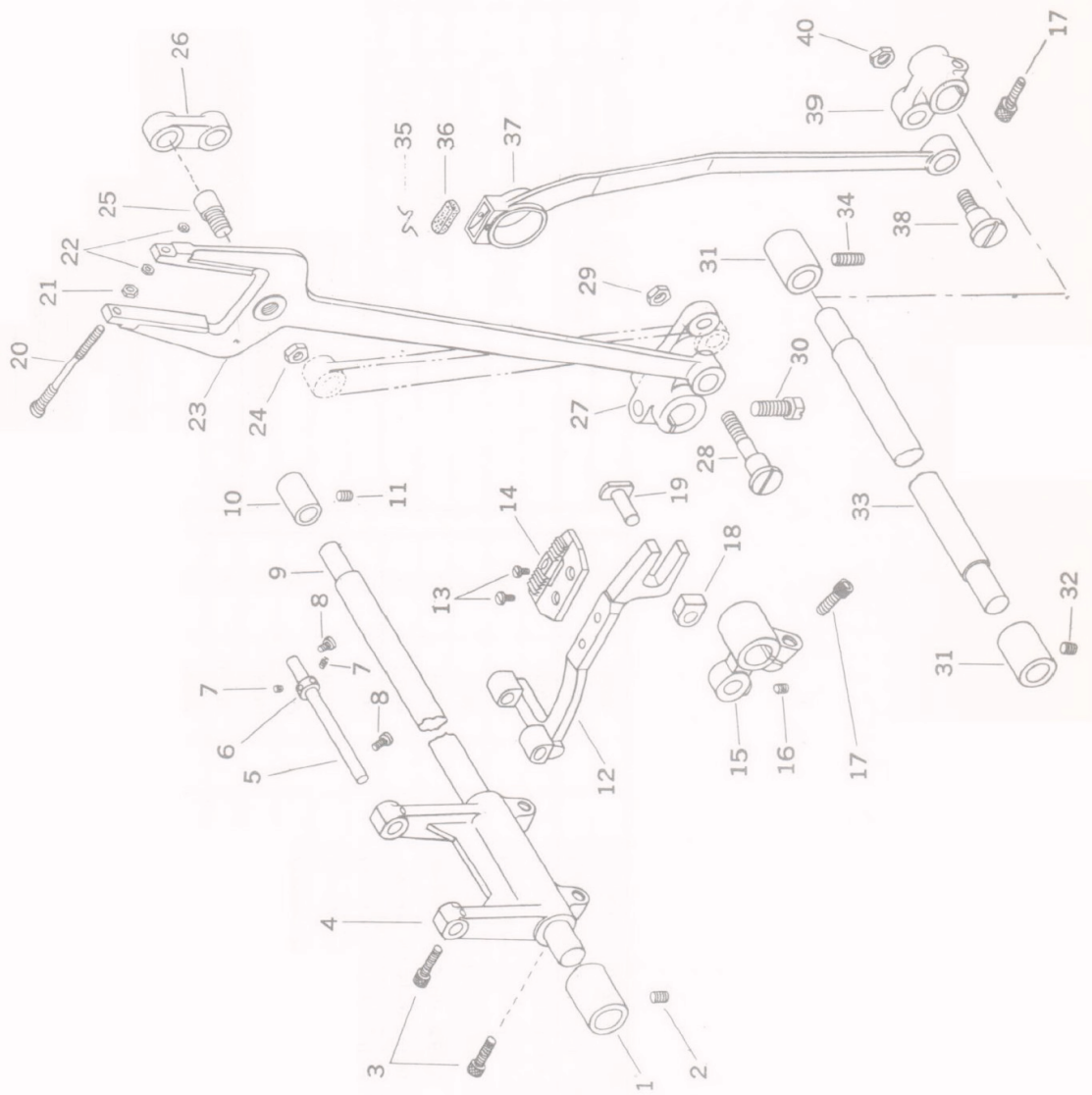


Fig. No.	Parts No	Description	Amt
1	18062	Feed rock shaft bushing (front)	1
2	8009	Set screw for #18062	1
3	18065	Set screw for #18065	2
4	18064	Feed rock shaft base	1
5	18067	Feed base supporting pin	1
6	18068	Feed base supporting pin collar	1
7	8103	Set screw for #18068	2
8	21104	Set screw for #18067	2
9	18061	Feed rock shaft	1
10	18063	Feed rock shaft bushing (rear)	1
11	21124	Set screw for #18063	1
12	18066	Feed base	1
13	8044	Feed dog screw	2
14	18031	Feed dog (Standard type)	1
15	18074	Feed lifting rock shaft front bell crank	1
16	2067	Set screw for #18075	1
17	18065	Set screw for feed lifting rock shaft bell crank	2
18	18075	Feed lifting rock shaft slide block	1
19	18076	Pin for #18075	1
20	18011	Set screw for #18010	1
21	4137	Nut (big) for #18010	1
22	4211	Nut (small) for #18010	2
23	18010	Feed forked connection	1
24	8105	Nut for #18010	1
25	18014	Hinge screw for #18010	1
26	17207	Feed connecting link	1
27	18070	Feed rock shaft bell crank (Back)	1
28	18015	Hinge screw for #18010	1
29	8105	Nut for #18010	1
30	10754	Pinch screw for #18070	1
31	18073	Feed lifting rock shaft bushing	2
32	8009	Set screw (front) for #18073	1
33	18072	Feed lifting rock shaft	1
34	10579	Set screw (rear) for #18073	1
35	10723	Oiling felt persser pin	1
36	17041	Oiling felt for #18021	1
37	18021	Crank connecting rod	1
38	18018	Hinge screw for #18021	1
39	18077	Feed lifting rock bell crank (back)	1
40	8105	Nut for #18018	1

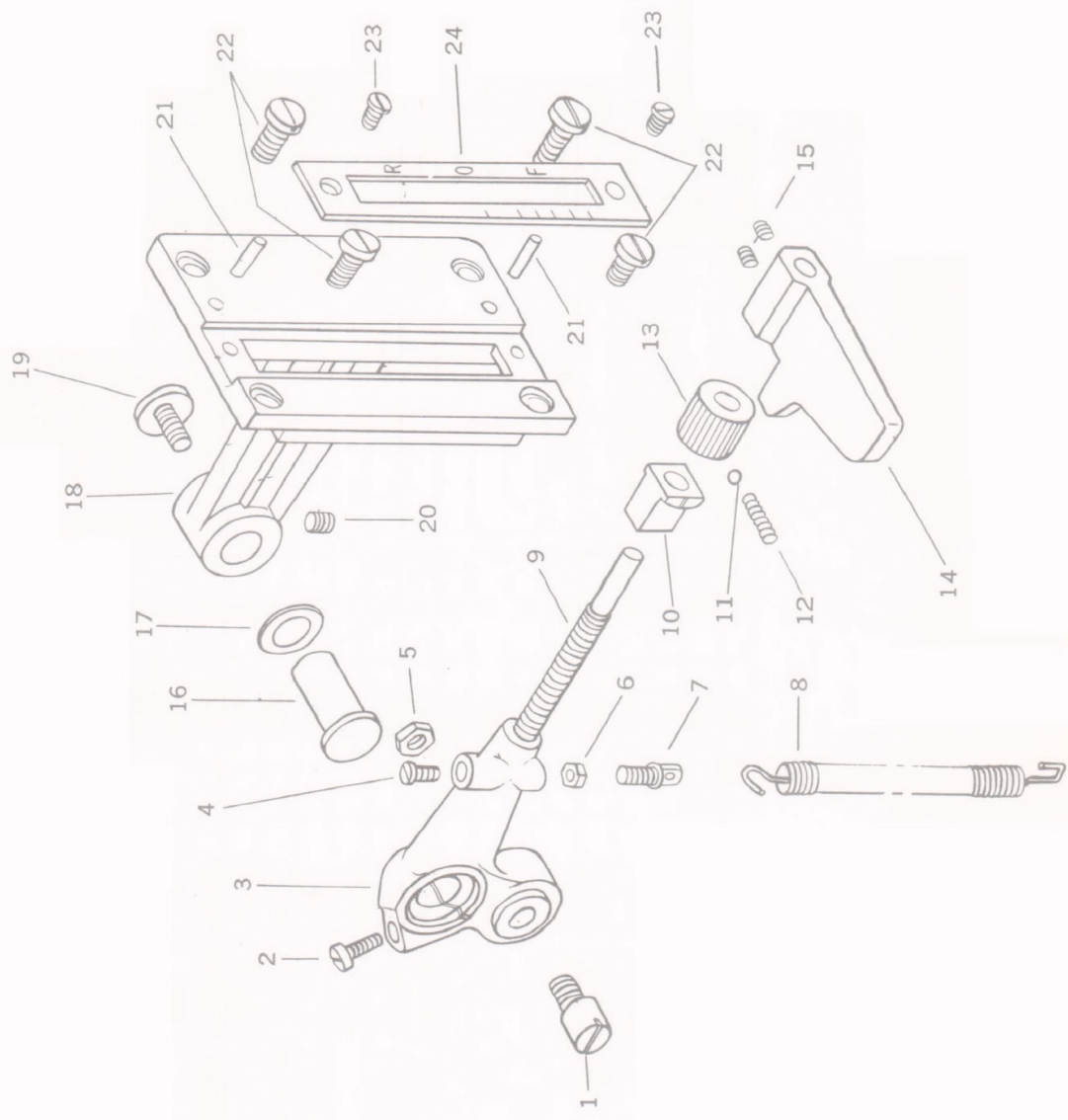


Fig. No.	Parts No	Description	Amt
1	17209	Feed regulating screw	1
2	17053	Set screw for #18022	1
3	18022	Feed regulating	1
4	4019	Set screw for #18025	1
5	8105	Nut for #18025	1
6	4135	Nut for #18026	1
7	17059	Screw for #18026	1
8	18026	Feed regulating lever spring	1
9	18025	Feed regulating lever	1
10	13417	Feed adjusting pipe	1
11	8158	Bearing ball 1/8 "	1
12	8157	Spring for #8158	1
13	13416	Feed adjusting knurling tool	1
14	18027	Reverse stitch lever	1
15	18028	Screw (small) for #18027	2
16	17055	Feed regulating support stud	1
17	17057	Washer for #17055	1
18	18023	Feed regulating base	1
19	1368	Supporting stud pushing screw	1
20	17056	Screw for #18023	1
21	50174	Pin for #18023	2
22	12361	Screw for #18023	4
23	17093	Set screw for #18024	2
24	18024	Stitch lengthindicaring plate	1

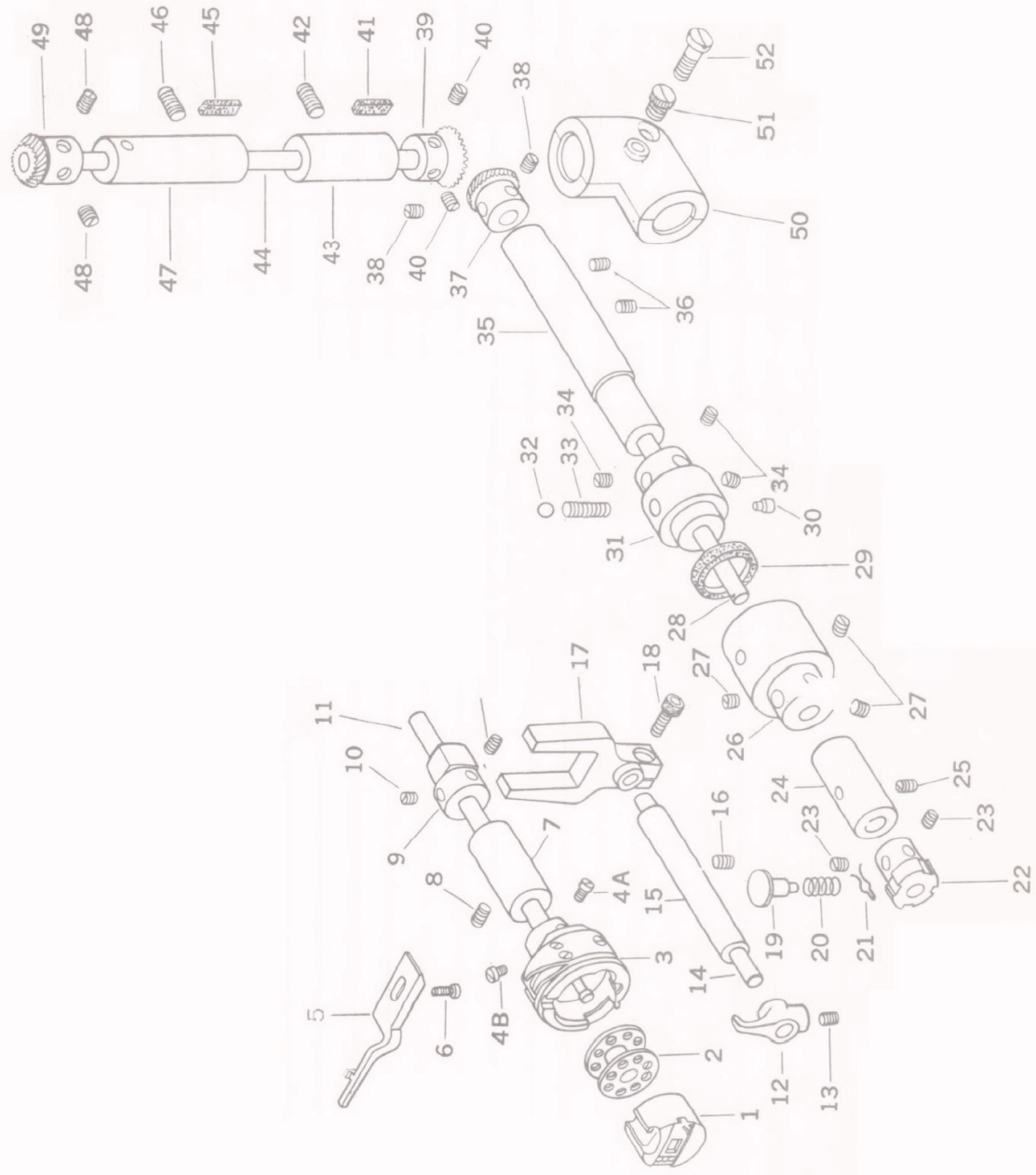


Fig. No.	Parts No	Description	Amt
1	18045	Bobbin case complete	1
2	18034	Bobbin	1
3	18033	Rotating hook complete	1
4	18033-7	Hook set screw	1
5	18035	Hook supporting plate	1
6	6025	Set screw for #18035	1
7	18037	Hook shaft bushing (front)	1
8	8009	Set screw for #18037	1
9	18044	Hook shaft collar	1
10	50304	Set screw for #18044	2
11	18036	Hook driving shaft	1
12	18039	Thread release finger	1
13	18040	Set screw for #18039	1
14	18041	Thread releasing shaft	1
15	18042	Thread releasing shaft bushing	1
16	21124	Set screw for #18042	1
17	18043	Thread releasing shaft fork	1
18	30066	Pinch screw for #18043	1
19	18053	Push button	1
20	18054	Push button spring	1
21	10674	Clip for #18033	1
22	18052	Hook shaft lock ratchet	1
23	17022	Set screw for #18052	2
24	18038	Hook shaft bushing(rear)	1
25	8009	Set screw for #18038	1
26	18047	Safety clutch (left)	1
27	17019	Set screw for #18047	3
28	18056	Lower shaft	1
29	18046	Oil wick for #18047	1
30	18051	Set screw for #18050	1
31	18041	Safety clutch (right)	1
32	18049	Steel ball	1
33	18050	Spring for #18041	1
34	17019	Set screw for #18041	3
35	18057	Lower shaft bushing	1
36	8009	Set screw for #18057	2
37	17028	Lower shaft gear (spiral)	1
38	17022	Set screw for #17027	2
39	17023	Arm shaft (upright) gear (lower)	1
40	17022	Set screw for #17023	2
41	17026	Oiling felt for #17025	1
42	10571	Set screw for #17026	1
43	17025	Arm shaft (upright) bushing (lower)	1
44	17020	Arm shaft (upright)	1
45	17026	Oiling felt for #17024	1
46	10571	Set screw for #17026	1
47	17024	Arm shaft (upright) bushing (upper)	1
48	17022	Set screw for #17021	2
49	17021	Arm shaft (upright) gear (spiral)	1
50	18058	Gear cover complete (lower)	1
51	18060	Gear cover (lower) sealing screw	1
52	18059	Pinch screw for #18058	1

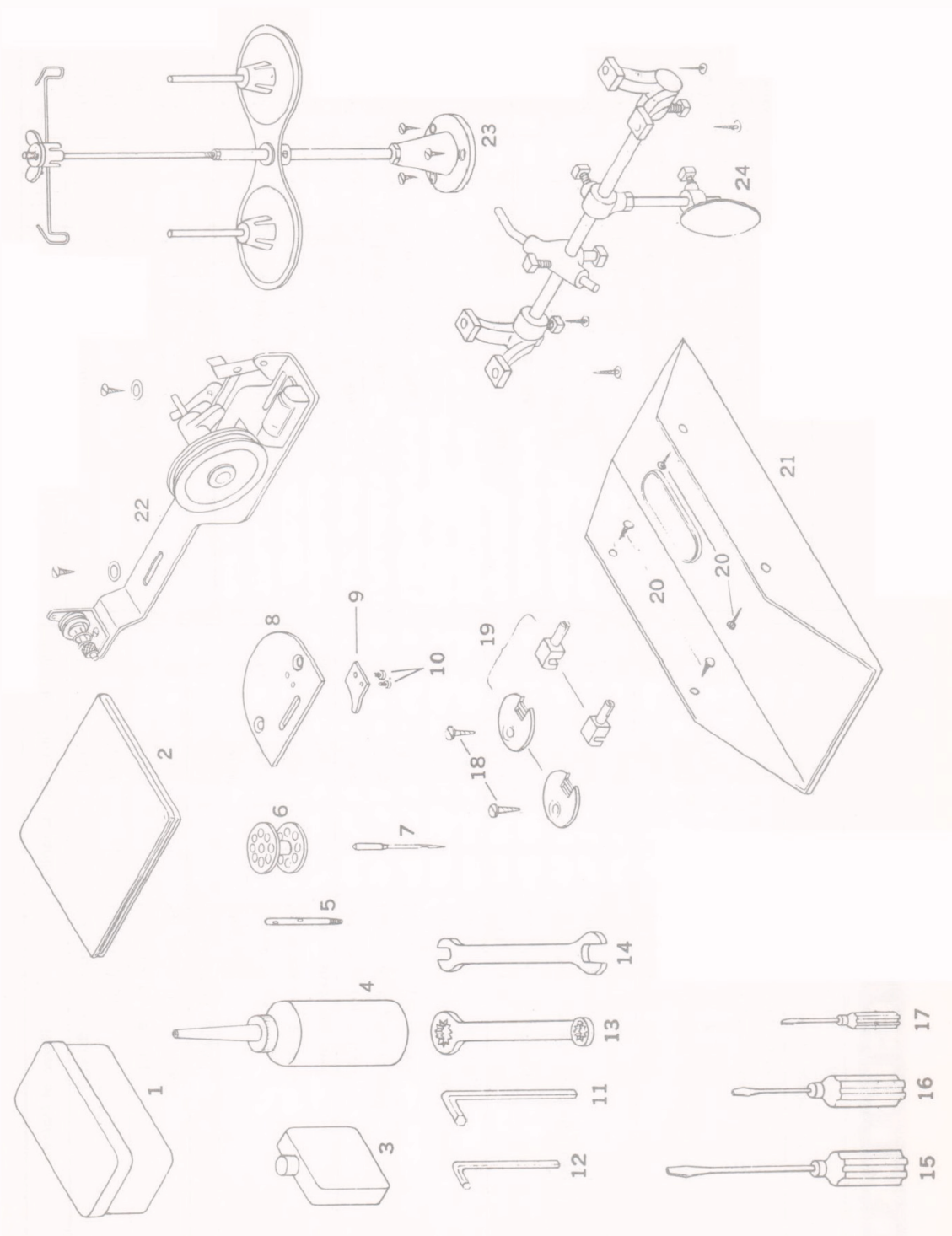


Fig. No.	Parts No	Description	Amt
1	8132	Accessories box	1
2	6057	Vinyl cover	1
3	8123	Oil	1
4	8125	Oiler	1
5	10709	Spool pin	1
6	18034	Bobbin	3
7	6332	Needle DP*17 #22	3
8	18029	Needle plate (for without lower feed)	1
9	2056	Needle plate spring	1
10	2063	Set screw for #2056	2
11	15571	Wrench 4.0mm	1
12	11969	Wrench 2.5mm	1
13	10748	Double head wrench	1
14	18084	Spanner 6*7mm	1
15	8118	Screw driver (large)	1
16	8120	Screw driver (middle)	1
17	8121	Screw driver (small)	1
18	6052	screw for #6051	2
19	6051	Bed hinge connection	2
20	6055	Nail for #6054	4
21	6054	Oil pan	1
22	10734	Bobbin winder complete	1
23	10780	Thread stand	1
24	18038	Knee lifter complete	1

