

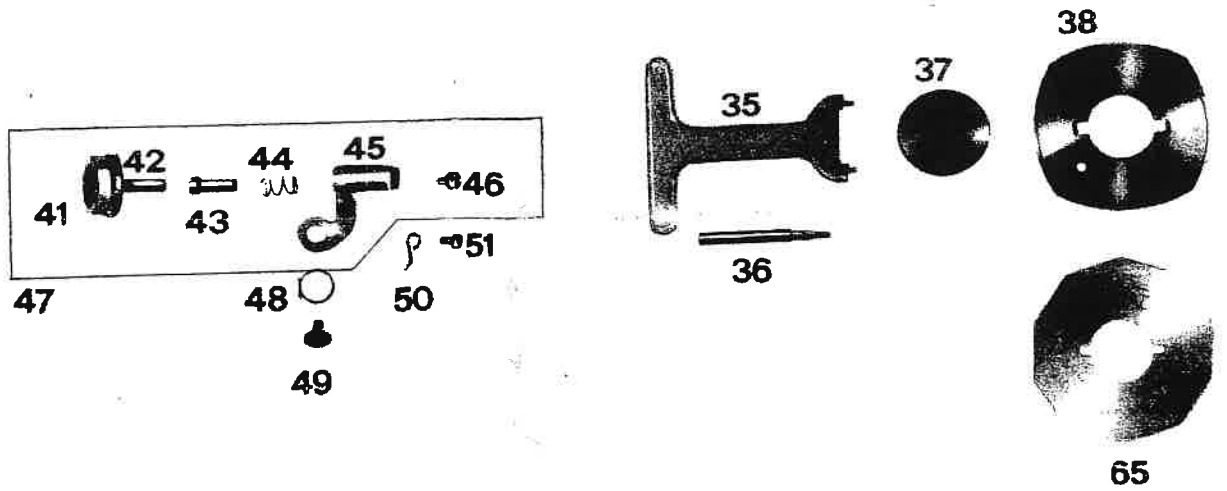
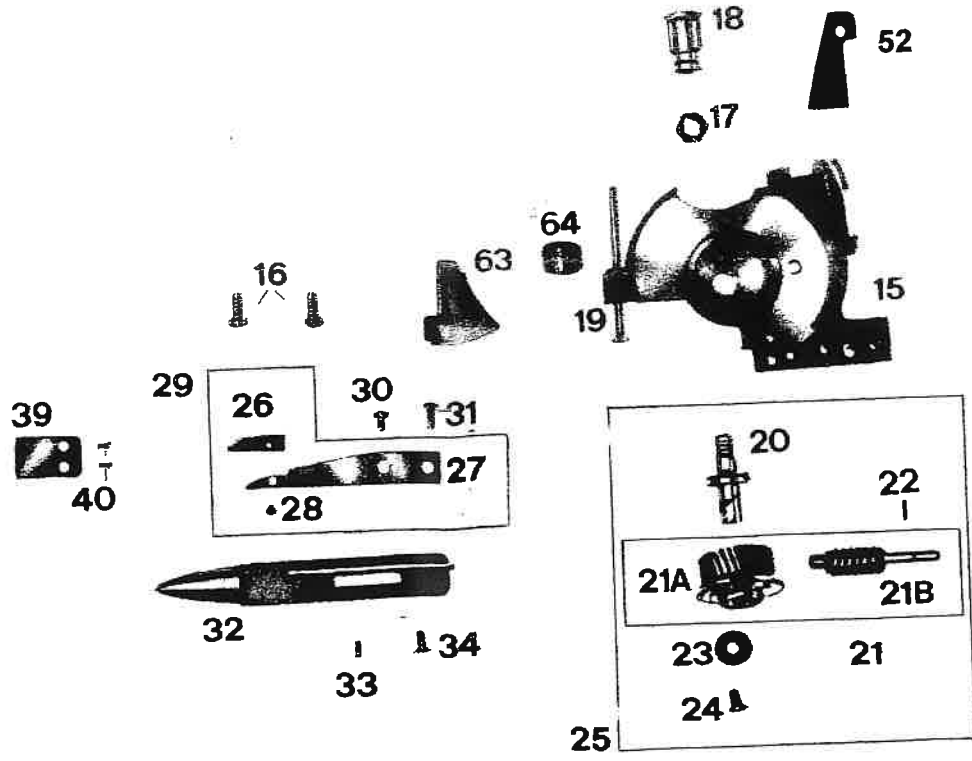
PNUC PARTS

N-C CARPET BINDING
& EQUIPMENT CORP.
 858 SUMMER AVE.
 NEWARK, NJ 07104
 PHONE (973) 481-3500
 TOLL FREE (800) 526-1184
 FAX (973) 481-0839
 EMAIL: SALES@NCCARPET.COM
 WWW.NCCARPET.COM

PAGE 2

SPARE PARTS LIST MOTOR DR300 FOR PNE80-PNE90

Item	1	Qty	1	Spindle nut
"	2	"	1	Bearing
"	3	"	1	Inner spacer
"	4	"	1	Outer spacer
"	5	"	1	Bearing
"	6	"	1	Planet cage
"	7	"	3	Planet pin
"	8	"	3	Planet bearing
"	9	"	3	Planet wheel
"	10	"	1	Gear ring
"	11	"	1	O Ring
"	12	"	1	Back cover
"	13	"	1	Pinion
"	14	"	1	Bearing
"	15	"	1	Front bearing housing
"	16	"	1	Cylinder
"	17	"	1	Rotor
"	18	"	5	Rotor blade
"	19	"	1	Rear bearing housing
"	20	"	1	Pin
"	21	"	1	Bearing
"	22	"	1	Gasket
"	23	"	1	Lever
"	24	"	1	Valve rod
"	25	"	1	O Ring
"	26	"	1	Motor case
"	27	"	1	Lever pin
"	28	"	1	Valve seat
"	29	"	1	Valve
"	30	"	1	Valve spring
"	31	"	1	Air deflector
"	32	"	1	Silencer
"	33	"	1	O Ring
"	34	"	1	Exhaust grid
"	35	"	1	Inlet filter
"	36	"	1	Inlet bolt
"	37	"	1	Clutch
"	50	"	1	Shaft



530 SUMMER AVE.
 NEWARK, NJ 07104
 PHONE (973) 481-3500
 TOLL FREE (800) 526-1184
 FAX (973) 481-0839
 EMAIL: SALES@NCCARPET.COM
 WWW.NCCARPET.COM

SPARE PARTS LIST HEAD - PNE80

Item.	Qty	PNE80	Description
15	1	PN815	Head casting
16	2	PN816	Screw
17	1	PN817	Axle nut
18	1	PN818	Graser
19	1	PN819	Safe-finger rod
20	1	PN820	Gear axle
21	1	PN821	Drive gear (21A) and worm gear (21B)
22	1	PN822	Spring pin
23	1	PN823	Ring
24	1	PN824	Left screw
25	1	PN825	Gear complete
26	1	PN826	Counter-cutting blade
27	1	PN827	Counter-cutting blade spring
28	1	PN828	Screw
29	1	PN829	Counter-cutting blade complete
30	1	PN830	Screw
31	1	PN831	Screw
32	1	PN832	Spur
33	1	PN833	Spring pin
34	1	PN834	Screw
35	1	PN835	Spanner
36	1	PN836	Drift
37	1	PN837	Blade lock-ring-nut
38	1	PN838	Square blade
39	1	PN839	Scraper spring
40	2	PN840	Screw
41	1	PN841	Grinding wheel
42	1	PN842	Plate and grinding wheel assembled
43	1	PN843	Bush
44	1	PN844	Compression spring
45	1	PN845	Grinder lever
46	1	PN846	Screw
47	1	PN847	Coplete grinder assembled
48	1	SF748	Grinder spring
49	1	SF749	Grinder lever pin
50	1	PN850	Stroke-end grinder lever
51	1	PN851	Screw
52	1	PN852	Upper scraper spring
63	1	PN863	Safe-finger protection
64	1	PN864	Bearing-plug
65	1	PN865	Decagonal blade
66	1	PN863	Lateral protection